

AK955/..-5.0-GREEN



Technical Data

Wire Sizes		Insulating Material	
Solid min	0.2 mm ²	Material	PA 6.6
solid max	4.0 mm ²	Flammability Class	UL 94 V-0
Temperatures			
Stranded (flexible) min	0.2 mm ²	Operating Temperature	-30 °C - 105 °C
Stranded (flexible) max	4.0 mm ²	Wave Soldering Process	
Stranded with Ferrule min	0.25 mm ²	Soldering Temperature,	- recommended
Stranded with Ferrule max	2.5 mm ²	Peak Soldering Time,	- recommended
Dimensions			
Stripped Length	7.0 mm	Reflow Process	
Soldering Temperature, - recommended			
Peak Soldering Time, - recommended			
Materials			
Clamp	Brass		
Screw	Steel		
Contact Spring	Bronze		

Colours

	GREEN, RAL6018
	BLACK, RAL9011
	LIGHT GREY, RAL7035
	LIGHT GREEN, similar RAL 6018

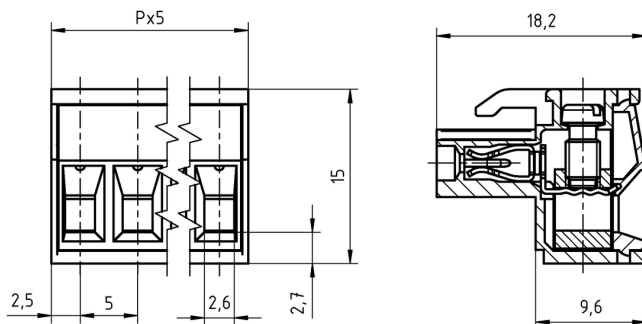
Colours according to RAL, there may be variations on colour due to production conditions.
Special colours on request.

Counterparts (Spacing 5.0 mm)

Pin Strip/Terminal Blocks

STL950	STL975	STL955
--------	--------	--------

If there are combinations with different ratings, the lower value is valid.



Order Data (Spacing 5.0 mm)

Poles	Width (mm)	Article Designation	Article Number	PU
2	10.00	AK955/2-5.0-GREEN	50955020001F	200
3	15.00	AK955/3-5.0-GREEN	50955030001F	200
4	20.00	AK955/4-5.0-GREEN	50955040001F	200
5	25.00	AK955/5-5.0-GREEN	50955050001E	100
6	30.00	AK955/6-5.0-GREEN	50955060001E	100
7	35.00	AK955/7-5.0-GREEN	50955070001E	100
8	40.00	AK955/8-5.0-GREEN	50955080001D	50
9	45.00	AK955/9-5.0-GREEN	50955090001D	50
10	50.00	AK955/10-5.0-GREEN	50955100001D	50
11	55.00	AK955/11-5.0-GREEN	50955110001D	50
12	60.00	AK955/12-5.0-GREEN	50955120001D	50
13	65.00	AK955/13-5.0-GREEN	50955130001D	50
14	70.00	AK955/14-5.0-GREEN	50955140001D	50
15	75.00	AK955/15-5.0-GREEN	50955150001D	50
16	80.00	AK955/16-5.0-GREEN	50955160001D	50
17	85.00	AK955/17-5.0-GREEN	50955170001D	50
18	90.00	AK955/18-5.0-GREEN	50955180001D	50
19	95.00	AK955/19-5.0-GREEN	50955190001D	50
20	100.00	AK955/20-5.0-GREEN	50955200001D	50
21	105.00	AK955/21-5.0-GREEN	50955210001D	50
22	110.00	AK955/22-5.0-GREEN	50955220001D	50
23	115.00	AK955/23-5.0-GREEN	50955230001D	50
24	120.00	AK955/24-5.0-GREEN	50955240001D	50

Accessories

Figure	Designation	Article Number
	Bridge, 2-pole, insulated, BRI/2-5.0/5.08-LIGHT GREY	50000000006
	Bridge, 3-pole, insulated, BRI/3-5.0/5.08-LIGHT GREY	50000000007
	Bridge, 2-pole, BR/2-5.0/5.08-L7.0	50000000008
	Coding star CS1-5.0/5.08-RED	50000000021

Ratings



Usegroup	B	C	D	III		
Rated Voltage	300 V	-	300 V	250 V		
Rated Current	10 A	-	10 A	9 A		
Overvoltage Category						
Rated Wire Size	min		max			
	solid	AWG 28-12	-	AWG 28-12	0.2 mm ² (2 A)	2.5 mm ² (9 A)
	stranded	AWG 28-12	-	AWG 28-12	0.2 mm ² (2 A)	2.5 mm ² (9 A)
Torque	0.50 Nm		-	0.50 Nm	0.50 Nm	
Screw Size	M3		-	M3	M3	
Test Voltage	1.6 kV		-	1.6 kV	2.0 kV	
Pollution Degree						3

* Approval Pending