

# LM3406/06HV

## 1.5A Constant Current Buck Regulator for Driving High Power LEDs

### General Description

The LM3406/06HV are monolithic switching regulators designed to deliver constant currents to high power LEDs. Ideal for automotive, industrial, and general lighting applications, they contain a high-side N-channel MOSFET switch with a current limit of 2.0A (typical) for step-down (Buck) regulators. Controlled on-time with true average current and an external current sense resistor allow the converter output voltage to adjust as needed to deliver a constant current to series and series-parallel connected LED arrays of varying number and type. LED dimming via pulse width modulation (PWM) is achieved using a dedicated logic pin or by PWM of the power input voltage. The product feature set is rounded out with low-power shutdown and thermal shutdown protection.

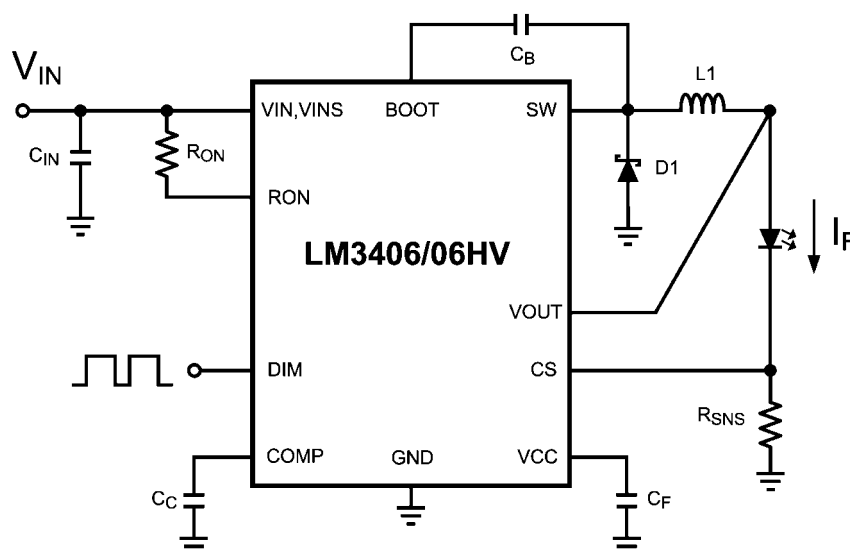
### Features

- Integrated 2.0A MOSFET
- $V_{IN}$  Range 6V to 42V (LM3406)
- $V_{IN}$  Range 6V to 75V (LM3406HV)
- True average output current control
- 1.7A Minimum Output Current Limit Over Temperature
- Cycle-by-Cycle Current Limit
- PWM Dimming with Dedicated Logic Input
- PWM Dimming with Power Input Voltage
- Simple Control Loop Compensation
- Low Power Shutdown
- Supports All-Ceramic Output Capacitors and Capacitorless Outputs
- Thermal Shutdown Protection
- eTSSOP-14 Package

### Applications

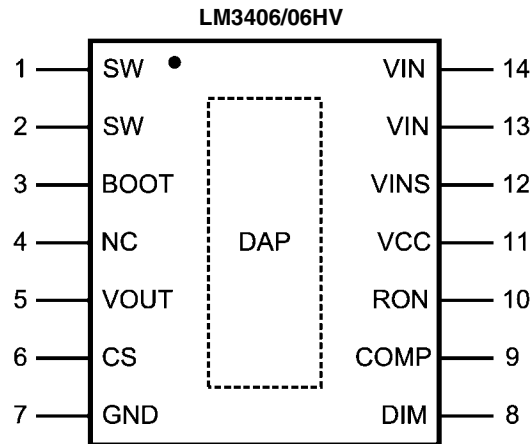
- LED Driver
- Constant Current Source
- Automotive Lighting
- General Illumination
- Industrial Lighting

### Typical Application



30020301

## Connection Diagram



14-Lead Exposed Pad Plastic TSSOP Package <sup>30020302</sup>  
NS Package Number MXA14A

## Ordering Information

Order Number	Package Type	NSC Package Drawing	Supplied As
LM3406MH	eTSSOP-14	MXA14A	95 units in anti-static rails
LM3406MHX			2500 units on tape and reel
LM3406HVMH			95 units in anti-static rails
LM3406HVMHX			2500 units on tape and reel

## Pin Descriptions

Pin(s)	Name	Description	Application Information
1,2	SW	Switch pin	Connect these pins to the output inductor and Schottky diode.
3	BOOT	MOSFET drive bootstrap pin	Connect a 22 nF ceramic capacitor from this pin to the SW pins.
4	NC	No Connect	No internal connection. Leave this pin unconnected.
5	VOUT	Output voltage sense pin	Connect this pin to the output node where the inductor and the first LED's anode connect.
6	CS	Current sense feedback pin	Set the current through the LED array by connecting a resistor from this pin to ground.
7	GND	Ground pin	Connect this pin to system ground.
8	DIM	Input for PWM dimming	Connect a logic-level PWM signal to this pin to enable/disable the power MOSFET and reduce the average light output of the LED array. Logic high = output on, logic low - output off.
9	COMP	Error amplifier output	Connect a 0.1 $\mu$ F ceramic capacitor with X5R or X7R dielectric from this pin to ground.
10	RON	On-time control pin	A resistor connected from this pin to VIN sets the regulator controlled on-time.
11	VCC	Output of the internal 7V linear regulator	Bypass this pin to ground with a minimum 0.1 $\mu$ F ceramic capacitor with X5R or X7R dielectric.
12	VINS	Input voltage PWM dimming comparator input	Connect this pin to the anode of the input diode to allow dimming by PWM of the input voltage
13,14	VIN	Input voltage pin	Nominal operating input range for this pin is 6V to 42V (LM3406) or 6V to 75V (LM3406HV).
DAP	DAP	Thermal Pad	Connect to ground. Place 4-6 vias from DAP to bottom layer ground plane.

## Absolute Maximum Ratings

### LM3406/LM3406HV (Note 1)

If Military/Aerospace specified devices are required, please contact the National Semiconductor Sales Office/Distributors for availability and specifications.

VIN to GND	-0.3V to 45V (76V LM3406HV)
VINS to GND	-0.3V to 45V (76V LM3406HV)
VOUT to GND	-0.3V to 45V (76V LM3406HV)
BOOT to GND	-0.3V to 59V (90V LM3406HV)
SW to GND	-1.5V to 45V (76V LM3406HV)
BOOT to VCC	-0.3V to 45V (76V LM3406HV)
BOOT to SW	-0.3V to 14V
VCC to GND	-0.3V to 14V
DIM to GND	-0.3V to 7V

COMP to GND	-0.3V to 7V
CS to GND	-0.3V to 7V
RON to GND	-0.3V to 7V
Junction Temperature	150°C
Storage Temp. Range	-65°C to 125°C
ESD Rating (Note 2)	2kV
Soldering Information	
Lead Temperature (Soldering, 10sec)	260°C
Infrared/Convection Reflow (15sec)	235°C

## Operating Ratings

(Note 1)

$V_{IN}$	6V to 42V (75V LM3406HV)
Junction Temperature Range	-40°C to +125°C
Thermal Resistance $\theta_{JA}$ (eTSSOP-14 Package) (Note 4)	50°C/W

**Electrical Characteristics**  $V_{IN} = 24V$  unless otherwise indicated. Typical and limits appearing in plain type apply for  $T_A = T_J = +25^\circ C$  (Note 3). Limits appearing in **boldface type** apply over full Operating Temperature Range. Datasheet min/max specification limits are guaranteed by design, test, or statistical analysis.

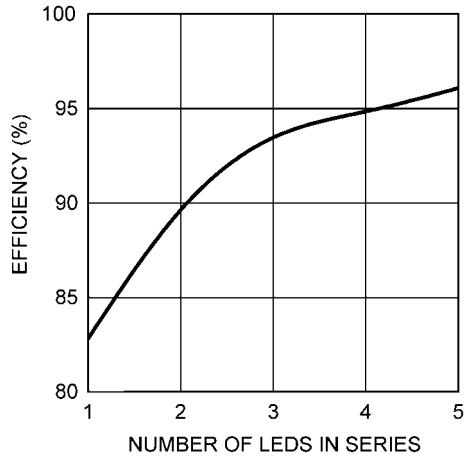
### LM3406/LM3406HV

Symbol	Parameter	Conditions	Min	Typ	Max	Units
<b>REGULATION COMPARATOR AND ERROR AMPLIFIER</b>						
$V_{REF}$	CS Regulation Threshold	CS Decreasing, SW turns on	<b>187.5</b>	200	<b>210</b>	mV
			191.0 (Note 5)		210.0 (Note 5)	
$V_{OV}$	CS Over-voltage Threshold	CS Increasing, SW turns off		300		mV
$I_{CS}$	CS Bias Current	CS = 0V		0.9		$\mu A$
$I_{VOUT}$	VOUT Bias Current	VOUT = 24V		83		$\mu A$
$I_{COMP}$	COMP Pin Current	CS = 0V		25		$\mu A$
$G_{m-CS}$	Error Amplifier Transconductance	150 mV < CS < 250 mV		145		$\mu S$
<b>SHUTDOWN</b>						
$V_{SD-TH}$	Shutdown Threshold	RON Increasing	<b>0.3</b>	0.7	<b>1.05</b>	V
$V_{SD-HYS}$	Shutdown Hysteresis	RON Decreasing		40		mV
<b>ON AND OFF TIMER</b>						
$t_{OFF-MIN}$	Minimum Off-time	CS = 0V		230		ns
$t_{ON}$	Programmed On-time	$V_{IN} = 24V, V_O = 12V, R_{ON} = 200 k\Omega$	<b>800</b>	1300	<b>1800</b>	
$t_{ON-MIN}$	Minimum On-time			280		
<b>VINS COMPARATOR</b>						
$V_{INS-TH}$	VINS Pin Threshold	VINS decreasing		70		%VIN
$I_{IN-2WD}$	VINS Pin Input Current	VINS = 24V * 0.7		25		$\mu A$
<b>INTERNAL REGULATOR</b>						
$V_{CC-REG}$	$V_{CC}$ Regulated Output	0 mA < $I_{CC}$ < 5 mA	<b>6.4</b>	7	<b>7.4</b>	V
$V_{IN-DO}$	$V_{IN} - V_{CC}$	$I_{CC} = 5 mA, 6.0V < V_{IN} < 8.0V$ , Non-switching		300		mV
$V_{CC-BP-TH}$	$V_{CC}$ Bypass Threshold	$V_{IN}$ Increasing		8.8		V
$V_{CC-LIM}$	$V_{CC}$ Current Limit	$V_{IN} = 24V, V_{CC} = 0V$	<b>4</b>	20		mA

Symbol	Parameter	Conditions	Min	Typ	Max	Units
$V_{CC-UV-TH}$	$V_{CC}$ Under-voltage Lock-out Threshold	$V_{CC}$ Increasing		5.3		V
$V_{CC-UV-HYS}$	$V_{CC}$ Under-voltage Lock-out Hysteresis	$V_{CC}$ Decreasing		150		mV
$I_{IN-OP}$	$I_{IN}$ Operating Current	Non-switching, CS = 0.5V		1.2		mA
$I_{IN-SD}$	$I_{IN}$ Shutdown Current	RON = 0V		240	350	$\mu$ A
<b>CURRENT LIMIT</b>						
$I_{LIM}$	Current Limit Threshold		1.7	2.1	2.7	A
<b>DIM COMPARATOR</b>						
$V_{IH}$	Logic High	DIM Increasing	2.2			V
$V_{IL}$	Logic Low	DIM Decreasing			0.8	V
$I_{DIM-PU}$	DIM Pull-up Current	DIM = 1.5V		80		$\mu$ A
<b>MOSFET AND DRIVER</b>						
$R_{DS-ON}$	Buck Switch On Resistance	$I_{SW} = 200$ mA, BOOT = 6.3V		0.37	0.75	$\Omega$
$V_{DR-UVLO}$	BOOT Under-voltage Lock-out Threshold	BOOT–SW Increasing	1.7	2.9	4.3	V
$V_{DR-HYS}$	BOOT Under-voltage Lock-out Hysteresis	BOOT–SW Decreasing		370		mV
<b>THERMAL SHUTDOWN</b>						
$T_{SD}$	Thermal Shutdown Threshold			165		$^{\circ}$ C
$T_{SD-HYS}$	Thermal Shutdown Hysteresis			25		$^{\circ}$ C
<b>THERMAL RESISTANCE</b>						
$\theta_{JA}$	Junction to Ambient	eTSSOP-14 Package (Note 4)		50		$^{\circ}$ C/W
<p><b>Note 1:</b> Absolute Maximum Ratings indicate limits beyond which damage to the device may occur, including inoperability and degradation of device reliability and/or performance. Functional operation of the device and/or non-degradation at the Absolute Maximum Ratings or other conditions beyond those indicated in the Operating Ratings is not implied. The recommended Operating Ratings indicate conditions at which the device is functional and the device should not be operated beyond such conditions.</p> <p><b>Note 2:</b> The human body model is a 100 pF capacitor discharged through a 1.5 k<math>\Omega</math> resistor into each pin.</p> <p><b>Note 3:</b> Typical values represent most likely parametric norms at the conditions specified and are not guaranteed.</p> <p><b>Note 4:</b> <math>\theta_{JA}</math> of 50<math>^{\circ}</math>C/W with DAP soldered to a minimum of 2 square inches of 1oz. copper on the top or bottom PCB layer.</p> <p><b>Note 5:</b> Specified with junction temperature from 0<math>^{\circ}</math>C - 125<math>^{\circ}</math>C.</p> <p><b>Note 6:</b> <math>V_{IN} = 24</math>V, <math>I_F = 1</math>A, <math>T_A = 25^{\circ}</math>C, and the load consists of three InGaN LEDs in series unless otherwise noted. See the Bill of Materials table at the end of the datasheet.</p>						

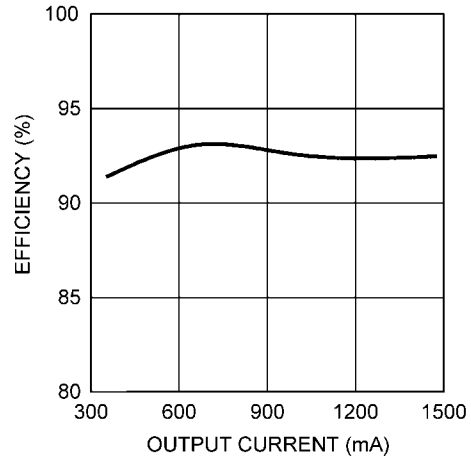
# Typical Performance Characteristics

**Efficiency Vs. Number of InGaN LEDs in Series**  
(Note 6)



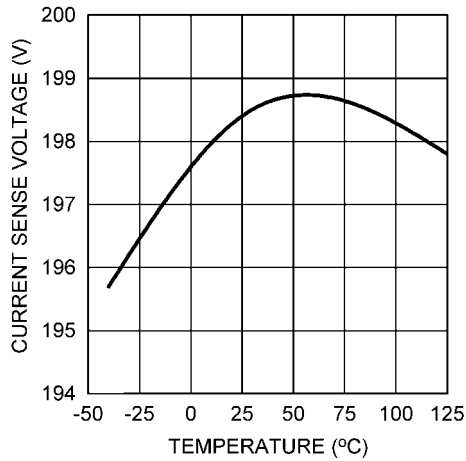
30020363

**Efficiency Vs. Output Current**  
(Note 6)



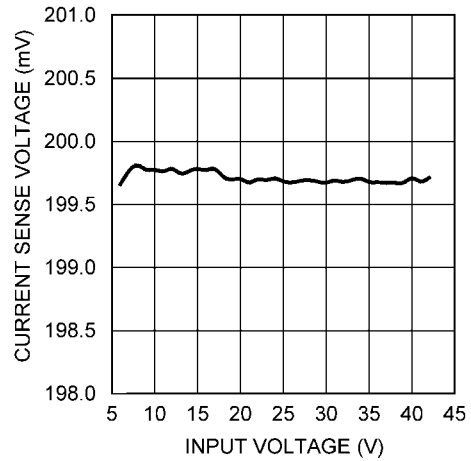
30020364

**V<sub>REF</sub> vs Temperature**



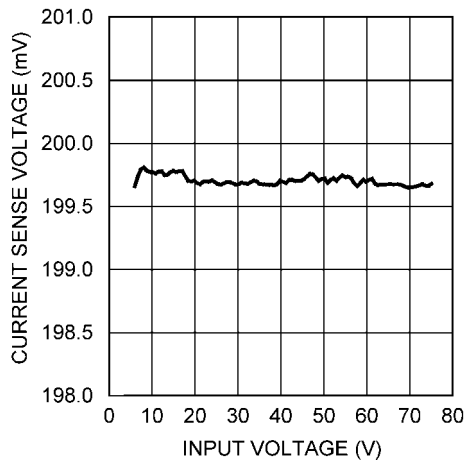
30020335

**V<sub>REF</sub> vs V<sub>IN</sub>, LM3406**



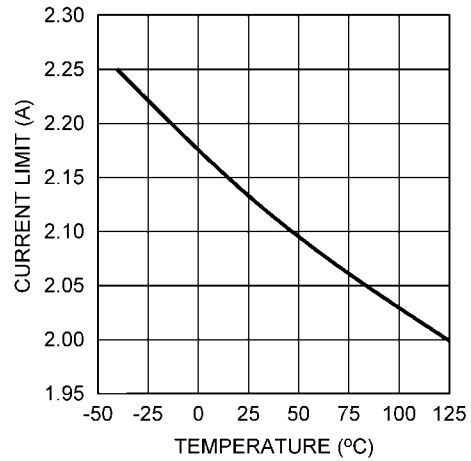
30020336

**V<sub>REF</sub> vs V<sub>IN</sub>, LM3406HV**



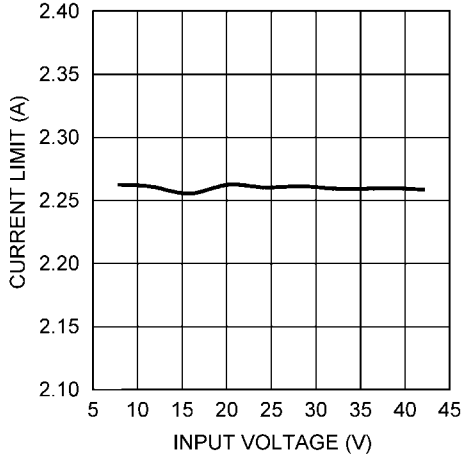
30020337

**Current Limit vs Temperature**



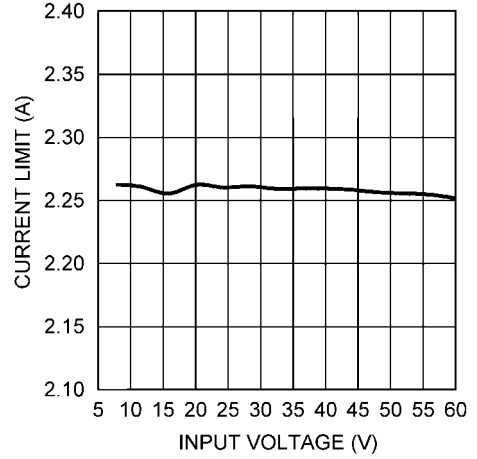
30020338

Current Limit vs  $V_{IN}$ , LM3406



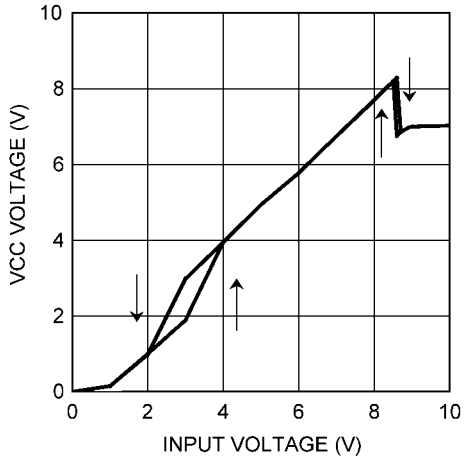
30020339

Current Limit vs  $V_{IN}$ , LM3406HV



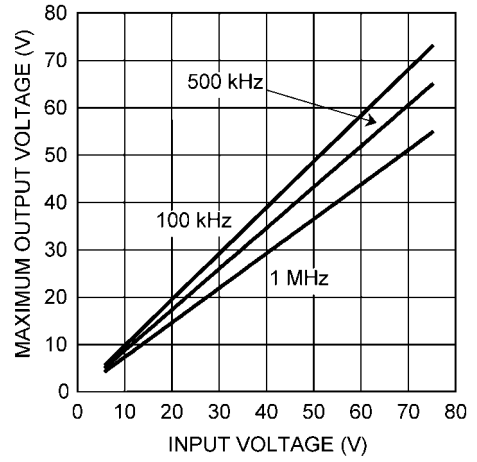
30020340

$V_{CC}$  vs  $V_{IN}$



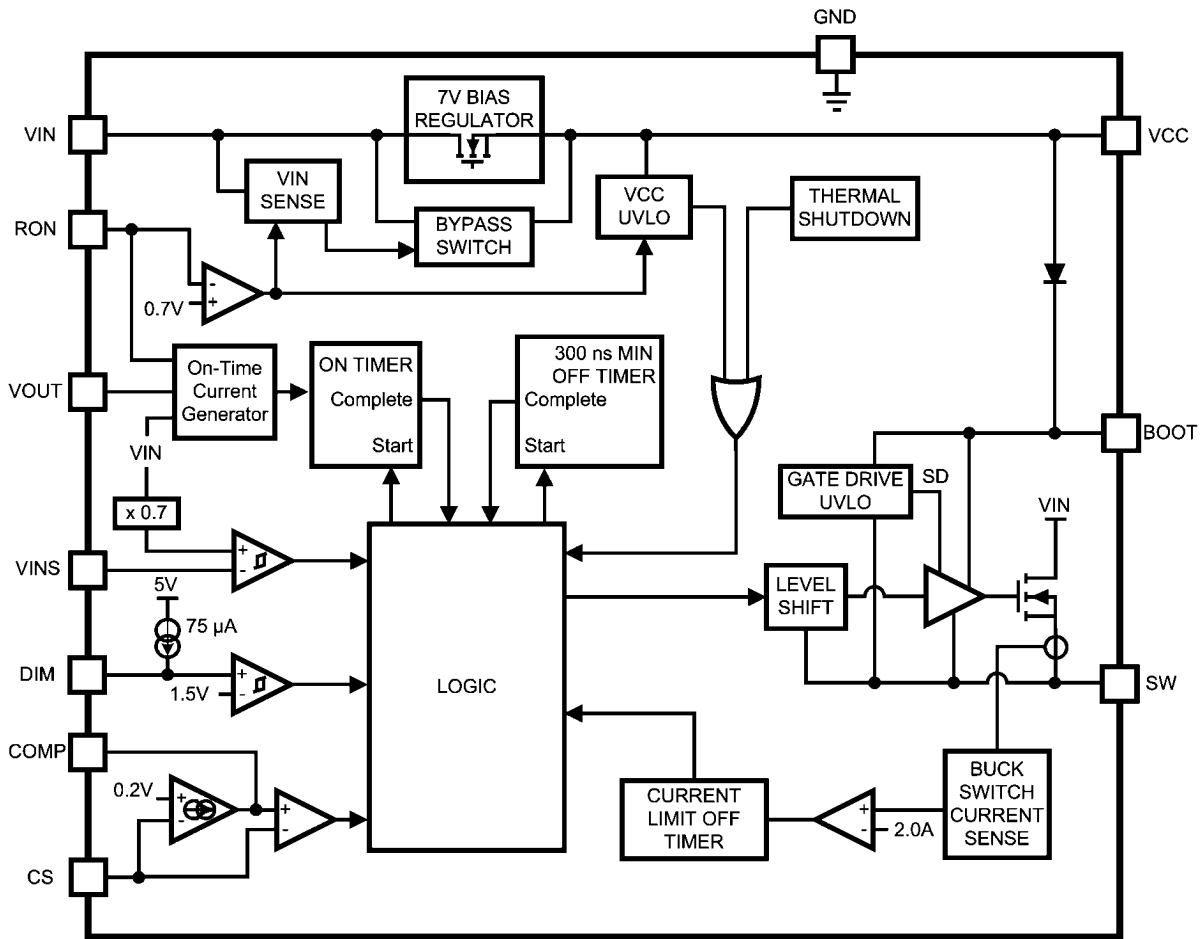
30020341

$V_{O-MAX}$  vs  $V_{IN}$ , LM3406



30020342

## Block Diagram



30020303

## Application Information

### THEORY OF OPERATION

The LM3406 and LM3406HV are buck regulators with a wide input voltage range, low voltage reference, and a fast output enable/disable function. These features combine to make them ideal for use as a constant current source for LEDs with forward currents as high as 1.5A. The controlled on-time (COT) architecture uses a comparator and a one-shot on-timer that varies inversely with input and output voltage instead of a fixed clock. The LM3406/06HV also employs an integrator circuit that averages the output current. When the converter runs in continuous conduction mode (CCM) the controlled on-time maintains a constant switching frequency over changes in both input and output voltage. These features combine to give the LM3406/06HV an accurate output current, fast transient response, and constant switching frequency over a wide range of conditions.

### CONTROLLED ON-TIME OVERVIEW

Figure 1 shows a simplified version of the feedback system used to control the current through an array of LEDs. A differential voltage signal,  $V_{SNS}$ , is created as the LED current flows through the current setting resistor,  $R_{SNS}$ .  $V_{SNS}$  is fed back by the CS pin, where it is integrated and compared against an error amplifier-generated reference. The error amplifier is a transconductance ( $G_m$ ) amplifier which adjusts the voltage on COMP to maintain a 200 mV average at the CS pin. The on-comparator turns on the power MOSFET when  $V_{SNS}$  falls below the reference created by the  $G_m$  amp. The power MOSFET conducts for a controlled on-time,  $t_{ON}$ , set by an external resistor,  $R_{ON}$ , the input voltage,  $V_{IN}$  and the output voltage,  $V_O$ . On-time can be estimated by the following simplified equation (for the most accurate version of this expression see the Appendix):

$$t_{ON} = 1 \times 10^{-11} \times R_{ON} \times \frac{V_O}{V_{IN}}$$

At the conclusion of  $t_{ON}$  the power MOSFET turns off and must remain off for a minimum of 230 ns. Once this  $t_{OFF-MIN}$  is complete the CS comparator compares the integrated  $V_{SNS}$  and reference again, waiting to begin the next cycle.

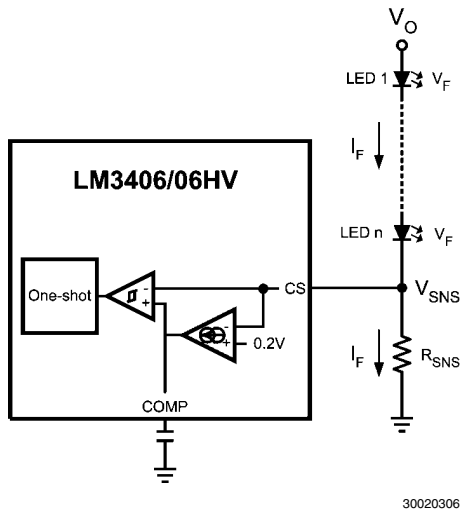


FIGURE 1. Comparator and One-Shot

### SWITCHING FREQUENCY

The LM3406/06HV does not contain a clock, however the on-time is modulated in proportion to both input voltage and output voltage in order to maintain a relatively constant frequency. On-time  $t_{ON}$ , duty cycle  $D$  and switching frequency  $f_{SW}$  are related by the following expression:

$$f_{SW} = D / t_{ON}$$

$$D = (V_O + V_D) / (V_{IN} - V_{SW} + V_D)$$

$$V_D = \text{Schottky diode (typically 0.5V)}$$

$$V_{SW} = I_F \times R_{DS(ON)}$$

The LM3406/06HV regulators should be operated in continuous conduction mode (CCM), where inductor current stays positive throughout the switching cycle. During steady-state CCM operation, the converter maintains a constant switching frequency that can be estimated using the following equation (for the most accurate version see the Appendix):

$$f_{SW} = \frac{1}{1 \times 10^{-11} \times R_{ON}}$$

### SETTING LED CURRENT

LED current is set by the resistor  $R_{SNS}$ , which can be determined using the following simple expression due to the output averaging:

$$R_{SNS} = 0.2 / I_F$$

### MAXIMUM NUMBER OF SERIES LEDs

LED driver designers often want to determine the highest number of LEDs that can be driven by their circuits. The limit on the maximum number of series LEDs is set by the highest output voltage,  $V_{O-MAX}$ , that the LED driver can provide. A buck regulator cannot provide an output voltage that is higher than the minimum input voltage, and in practice the maximum

output voltage of the LM3406/06HV is limited by the minimum off-time as well.  $V_{O-MAX}$  determines how many LEDs can be driven in series. Referring to the illustration in Figure 1, output voltage is calculated as:

$$V_{O-MAX} = V_{IN-MIN} \times (1 - f_{SW} \times t_{OFF-MIN})$$

$$t_{OFF-MIN} = 230 \text{ ns}$$

Once  $V_{O-MAX}$  has been calculated, the maximum number of series LEDs,  $n_{MAX}$ , can be calculated by the following expression and rounding down:

$$n_{MAX} = V_{O-MAX} / V_F$$

$V_F$  = forward voltage of each LED

At low switching frequency  $V_{O-MAX}$  is higher, allowing the LM3406/06HV to regulate output voltages that are nearly equal to input voltage, and this can allow the system to drive more LEDs in series. Low switching frequencies are not always desirable, however, because they require larger, more expensive components.

### CALCULATING OUTPUT VOLTAGE

Even though output current is the controlled parameter in LED drivers, output voltage must still be calculated in order to design the complete circuit. Referring to the illustration in Figure 1, output voltage is calculated as:

$$V_O = n \times V_F + V_{SNS}$$

$V_{SNS}$  = sense voltage of 200 mV,  $n$  = number of LEDs in series

### MINIMUM ON-TIME

The minimum on-time for the LM3406/06HV is 280 ns (typical). One practical example of reaching the minimum on-time is when dimming the LED light output with a power FET placed in parallel to the LEDs. When the FET is on, the output voltage drops to 200 mV. This results in a small duty cycle and in most circuits requires an on-time that would be less than 280 ns. In such a case the LM3406/06HV keeps the on-time at 280 ns and increases the off-time as much as needed, which effectively reduces the switching frequency.

### HIGH VOLTAGE BIAS REGULATOR

The LM3406/06HV contains an internal linear regulator with a 7V output, connected between the VIN and the VCC pins. The VCC pin should be bypassed to the GND pin with a 0.1  $\mu$ F ceramic capacitor connected as close as possible to the pins of the IC. VCC tracks VIN until VIN reaches 8.8V (typical) and then regulates at 7V as VIN increases. The LM3406/06HV comes out of UVLO and begins operating when VCC crosses 5.3V. This is shown graphically in the Typical Performance curves.

### INTERNAL MOSFET AND DRIVER

The LM3406/06HV features an internal power MOSFET as well as a floating driver connected from the SW pin to the BOOT pin. Both rise time and fall time are 20 ns each (typical) and the approximate gate charge is 9 nC. The high-side rail for the driver circuitry uses a bootstrap circuit consisting of an internal high-voltage diode and an external 22 nF capacitor,  $C_B$ .  $V_{CC}$  charges  $C_B$  through the internal diode while the power MOSFET is off. When the MOSFET turns on, the internal diode reverse biases. This creates a floating supply equal to



the  $V_{CC}$  voltage minus the diode drop to drive the MOSFET when its source voltage is equal to  $V_{IN}$ .

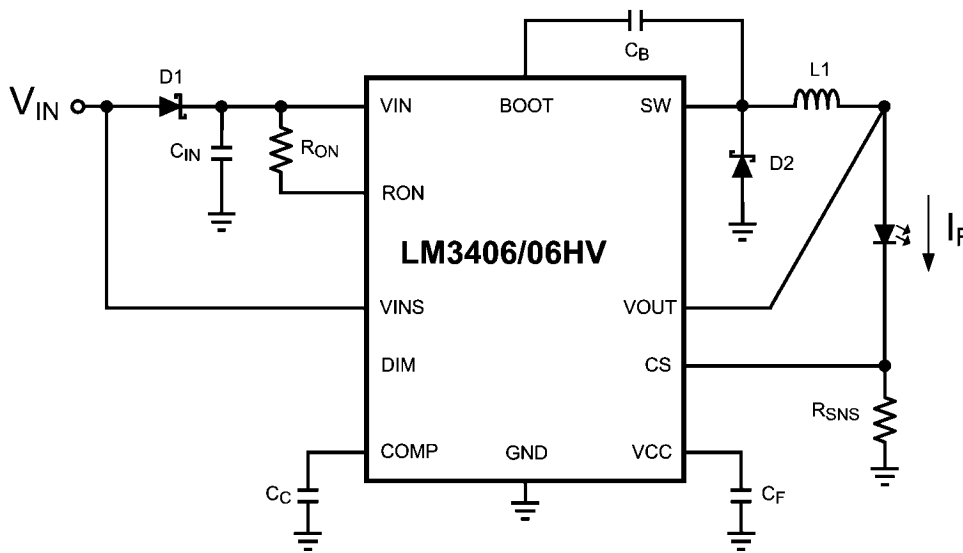
### FAST LOGIC PIN FOR PWM DIMMING

The DIM pin is a TTL compatible input for PWM dimming of the LED. A logic low (below 0.8V) at DIM will disable the internal MOSFET and shut off the current flow to the LED array. While the DIM pin is in a logic low state the support circuitry (driver, bandgap, VCC) remains active in order to minimize the time needed to turn the LED array back on when the DIM pin sees a logic high (above 2.2V). A 75  $\mu$ A (typical) pull-up current ensures that the LM3406/06HV is on when DIM pin is open circuited, eliminating the need for a pull-up resistor. Dimming frequency,  $f_{DIM}$ , and duty cycle,  $D_{DIM}$ , are limited by the LED current rise time and fall time and the delay from activation of the DIM pin to the response of the internal power MOSFET. In general,  $f_{DIM}$  should be at least one order of

magnitude lower than the steady state switching frequency in order to prevent aliasing.

### INPUT VOLTAGE COMPARATOR FOR PWM DIMMING

Adding an external input diode and using the internal VINS comparator allows the LM3406/06HV to sense and respond to dimming that is done by PWM of the input voltage. This method is also referred to as "Two-Wire Dimming", and a typical application circuit is shown in *Figure 2*. If the VINS pin voltage falls 70% below the VIN pin voltage, the LM3406/06HV disables the internal power FET and shuts off the current to the LED array. The support circuitry (driver, bandgap, VCC) remains active in order to minimize the time needed to turn the LED back on when the VINS pin voltage rises and exceeds 70% of VIN. This minimizes the response time needed to turn the LED array back on.



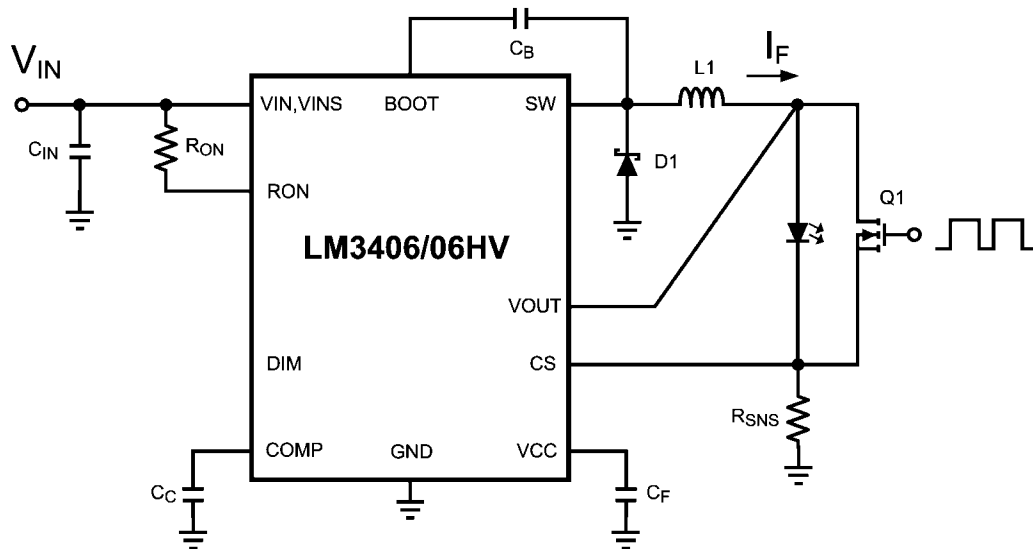
30020304

FIGURE 2. Typical Application using Two-Wire Dimming

### PARALLEL MOSFET FOR HIGH-SPEED PWM DIMMING

For applications that require dimming at high frequency or with wide dimming duty cycle range neither the VINS comparator or the DIM pin are capable of slewing the LED current from 0 to the target level fast enough. For such applications the LED current slew rate can be increased by shorting the LED current with a N-MOSFET placed in parallel to the LED or LED array, as shown in *Figure 3*. While the parallel FET is on the output current flows through it, effectively reducing the output voltage to equal the CS pin voltage of 0.2V. This dim-

ming method maintains a continuous current through the inductor, and therefore eliminates the biggest delay in turning the LED(s) or and off. The trade-off with parallel FET dimming is that more power is wasted while the FET is on, although in most cases the power wasted is small compared to the power dissipated in the LEDs. Parallel FET circuits should use no output capacitance or a bare minimum for noise filtering in order to minimize the slew rate of output voltage. Dimming FET Q1 can be driven from a ground-referenced source because the source stays at 0.2V along with the CS pin.



30020327

FIGURE 3. Dimming with a Parallel FET

### PEAK CURRENT LIMIT

The current limit comparator of the LM3406/06HV will engage whenever the power MOSFET current (equal to the inductor current while the MOSFET is on) exceeds 2.1A (typical). The power MOSFET is disabled for a cool-down time that of approximately 100  $\mu$ s. At the conclusion of this cool-down time the system re-starts. If the current limit condition persists the cycle of cool-down time and restarting will continue, creating a low-power hiccup mode, minimizing thermal stress on the LM3406/06HV and the external circuit components.

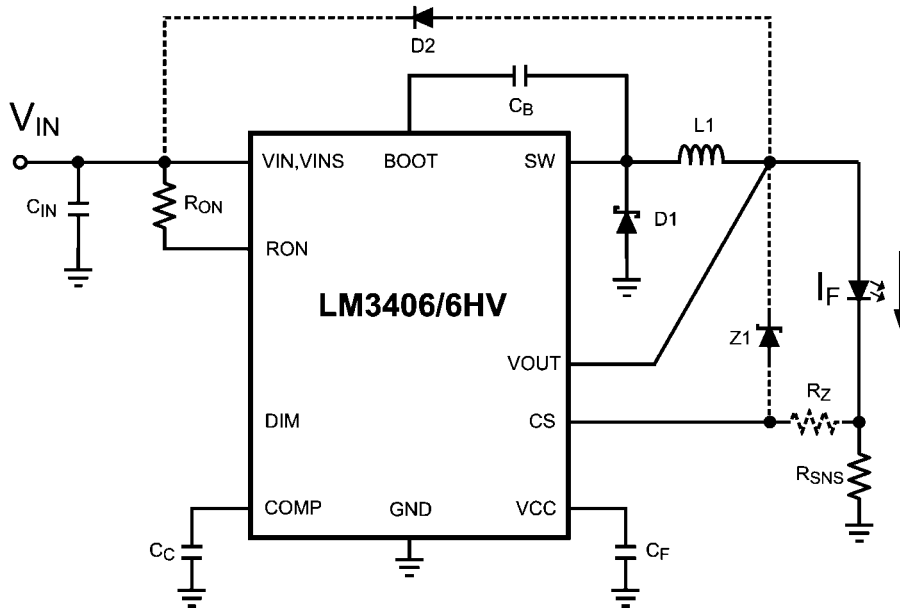
### OVER-VOLTAGE/OVER-CURRENT COMPARATOR

The CS pin includes an output over-voltage/over-current comparator that will disable the power MOSFET whenever  $V_{SNS}$  exceeds 300 mV. This threshold provides a hard limit for the output current. Output current overshoot is limited to  $300 \text{ mV} / R_{SNS}$  by this comparator during transients. The OVP/OCP comparator limits the maximum ripple voltage at the CS pin to 200 mV<sub>P-P</sub>.

### OUTPUT OPEN-CIRCUIT

The most common failure mode for power LEDs is a broken bond wire, and the result is an output open-circuit. When this happens the feedback path is disconnected, and the output voltage will attempt to rise. In buck converters the output voltage can only rise as high as the input voltage, and the minimum off-time requirement ensures that  $V_{O(MAX)}$  is slightly less than  $V_{IN}$ . Figure 4 shows a method using a zener diode, Z1, and zener limiting resistor,  $R_Z$ , to limit output voltage to the reverse breakdown voltage of Z1 plus 200 mV. The zener diode reverse breakdown voltage,  $V_Z$ , must be greater than the maximum combined  $V_F$  of all LEDs in the array. The maximum recommended value for  $R_Z$  is 1 k $\Omega$ .

The output stage (SW and VOUT pins) of the LM3406/06HV is capable of withstanding  $V_{O(MAX)}$  indefinitely as long as the output capacitor is rated to handle the full input voltage. When an LED fails open-circuit and there is no output capacitor present the surge in output voltage due to the collapsing magnetic field in the output inductor can exceed  $V_{IN}$  and can damage the LM3406/06HV IC. As an alternative to the zener clamp method described previously, a diode can be connected from the output to the input of the regulator circuit that will clamp the inductive surge to one  $V_D$  above  $V_{IN}$ .



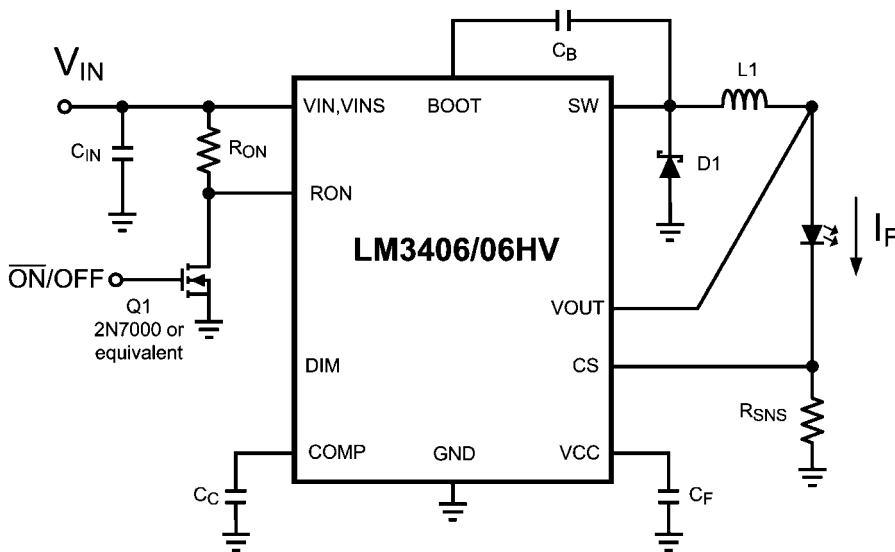
30020311

FIGURE 4. Two Methods of Output Open Circuit Protection

**LOW POWER SHUTDOWN**

The LM3406/06HV can be placed into a low power state ( $I_{IN,SD} = 240 \mu A$ ) by grounding the RON pin with a signal-level MOSFET as shown in Figure 5. Low power MOSFETs like the 2N7000, 2N3904, or equivalent are recommended for putting the LM3406/06HV into low power shutdown. Logic gates can also be used to shut down the LM3406/06HV

as long as the logic low voltage is below the over temperature minimum threshold of 0.3V. Noise filter circuitry on the RON pin can cause a few pulses with longer on-times than normal after RON is grounded or released. In these cases the OVP/OCP comparator will ensure that the peak inductor or LED current does not exceed  $300 \text{ mV} / R_{SNS}$ .



30020312

FIGURE 5. Low Power Shutdown

**THERMAL SHUTDOWN**

Internal thermal shutdown circuitry is provided to protect the IC in the event that the maximum junction temperature is exceeded. The threshold for thermal shutdown is 165°C with a

25°C hysteresis (both values typical). During thermal shutdown the MOSFET and driver are disabled.

## Design Considerations

### SWITCHING FREQUENCY

Switching frequency is selected based on the trade-offs between efficiency (better at low frequency), solution size/cost (smaller at high frequency), and the range of output voltage that can be regulated (wider at lower frequency.) Many applications place limits on switching frequency due to EMI sensitivity. The on-time of the LM3406/06HV can be programmed for switching frequencies ranging from the 10's of kHz to over 1 MHz. This on-time varies in proportion to both  $V_{IN}$  and  $V_O$  in order to maintain first-order control over switching frequency, however in practice the switching frequency will shift in response to large swings in  $V_{IN}$  or  $V_O$ . The maximum switching frequency is limited only by the minimum on-time and minimum off-time requirements.

### LED RIPPLE CURRENT

Selection of the ripple current,  $\Delta i_F$ , through the LED array is similar to the selection of output ripple voltage in a standard voltage regulator. Where the output ripple in a voltage regulator is commonly  $\pm 1\%$  to  $\pm 5\%$  of the DC output voltage, LED manufacturers generally recommend values for  $\Delta i_F$  ranging from  $\pm 5\%$  to  $\pm 20\%$  of  $I_F$ . Higher LED ripple current allows the use of smaller inductors, smaller output capacitors, or no output capacitors at all. Lower ripple current requires more output inductance, higher switching frequency, or additional output capacitance, and may be necessary for applications that are not intended for human eyes, such as machine vision or industrial inspection.

### BUCK CONVERTERS WITHOUT OUTPUT CAPACITORS

The buck converter is unique among non-isolated topologies because of the direct connection of the inductor to the load during the entire switching cycle. By definition an inductor will control the rate of change of current that flows through it, and this control over current ripple forms the basis for component selection in both voltage regulators and current regulators. A current regulator such as the LED driver for which the LM3406/06HV was designed focuses on the control of the current through the load, not the voltage across it. A constant current regulator is free of load current transients, and has no need of output capacitance to supply the load and maintain output voltage. Referring to the Typical Application circuit on the front page of this datasheet, the inductor and LED can form a single series chain, sharing the same current. When no output capacitor is used, the same equations that govern inductor ripple current,  $\Delta i_L$ , also apply to the LED ripple current,  $\Delta i_F$ . For a controlled on-time converter such as LM3406/06HV the ripple current is described by the following expression:

$$\Delta i_L = \Delta i_F = \frac{V_{IN} - V_O}{L} \times t_{ON}$$

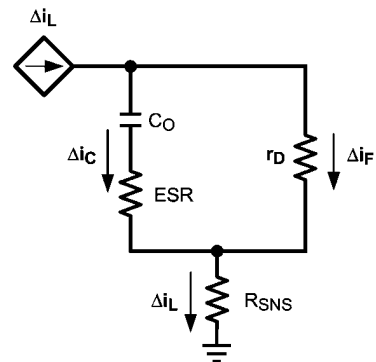
The triangle-wave inductor current ripple flows through  $R_{SNS}$  and produces a triangle-wave voltage at the CS pin. To provide good signal to noise ratio (SNR) the amplitude of CS pin ripple voltage,  $\Delta v_{CS}$ , should be at least  $25 \text{ mV}_{P-P}$ .  $\Delta v_{CS}$  is described by the following:

$$\Delta v_{CS} = \Delta i_F \times R_{SNS}$$

### BUCK CONVERTERS WITH OUTPUT CAPACITORS

A capacitor placed in parallel with the LED(s) can be used to reduce the LED current ripple while keeping the same average current through both the inductor and the LED array. With an output capacitor the output inductance can be lowered, making the magnetics smaller and less expensive. Alternatively, the circuit could be run at lower frequency but keep the same inductor value, improving the power efficiency. Both the peak current limit and the OVP/OCP comparator still monitor peak inductor current, placing a limit on how large  $\Delta i_L$  can be even if  $\Delta i_F$  is made very small. Adding a capacitor that reduces  $\Delta i_F$  to well below the target provides headroom for changes in inductance or  $V_{IN}$  that might otherwise push the peak LED ripple current too high.

Figure 6 shows the equivalent impedances presented to the inductor current ripple when an output capacitor,  $C_O$ , and its equivalent series resistance (ESR) are placed in parallel with the LED array. Note that ceramic capacitors have so little ESR that it can be ignored. The entire inductor ripple current still flows through  $R_{SNS}$  to provide the required  $25 \text{ mV}$  of ripple voltage for proper operation of the CS comparator.



30020314

FIGURE 6. LED and  $C_O$  Ripple Current

To calculate the respective ripple currents the LED array is represented as a dynamic resistance,  $r_D$ . LED dynamic resistance is not always specified on the manufacturer's datasheet, but it can be calculated as the inverse slope of the LED's  $V_F$  vs.  $I_F$  curve. Note that dividing  $V_F$  by  $I_F$  will give an incorrect value that is 5x to 10x too high. Total dynamic resistance for a string of  $n$  LEDs connected in series can be calculated as the  $r_D$  of one device multiplied by  $n$ . Inductor ripple current is still calculated with the expression from Buck Regulators without Output Capacitors. The following equations can then be used to estimate  $\Delta i_F$  when using a parallel capacitor:

$$\Delta i_F = \frac{\Delta i_L}{1 + \frac{r_D}{Z_C}}$$

$$Z_C = \text{ESR} + \frac{1}{2\pi \times f_{SW} \times C_O}$$

The calculation for  $Z_C$  assumes that the shape of the inductor ripple current is approximately sinusoidal.

Small values of  $C_O$  that do not significantly reduce  $\Delta i_F$  can also be used to control EMI generated by the switching action of the LM3406/06HV. EMI reduction becomes more important

as the length of the connections between the LED and the rest of the circuit increase.

### INPUT CAPACITORS

Input capacitors at the VIN pin of the LM3406/06HV are selected using requirements for minimum capacitance and rms ripple current. The input capacitors supply pulses of current approximately equal to  $I_F$  while the power MOSFET is on, and are charged up by the input voltage while the power MOSFET is off. All switching regulators have a negative input impedance due to the decrease in input current as input voltage increases. This inverse proportionality of input current to input voltage can cause oscillations (sometimes called 'power supply interaction') if the magnitude of the negative input impedance is greater than the input filter impedance. Minimum capacitance can be selected by comparing the input impedance to the converter's negative resistance; however this requires accurate calculation of the input voltage source inductance and resistance, quantities which can be difficult to determine. An alternative method to select the minimum input capacitance,  $C_{IN(MIN)}$ , is to select the maximum input voltage ripple which can be tolerated. This value,  $\Delta V_{IN(MAX)}$ , is equal to the change in voltage across  $C_{IN}$  during the converter on-time, when  $C_{IN}$  supplies the load current.  $C_{IN(MIN)}$  can be selected with the following:

$$C_{IN(MIN)} = \frac{I_F \times t_{ON}}{\Delta V_{IN(MAX)}}$$

A good starting point for selection of  $C_{IN}$  is to use an input voltage ripple of 5% to 10% of  $V_{IN}$ . A minimum input capacitance of 2x the  $C_{IN(MIN)}$  value is recommended for all LM3406/06HV circuits. To determine the rms current rating, the following formula can be used:

$$I_{IN(rms)} = I_F \times \sqrt{D(1 - D)}$$

Ceramic capacitors are the best choice for the input to the LM3406/06HV due to their high ripple current rating, low ESR, low cost, and small size compared to other types. When selecting a ceramic capacitor, special attention must be paid to the operating conditions of the application. Ceramic capacitors can lose one-half or more of their capacitance at their rated DC voltage bias and also lose capacitance with extremes in temperature. A DC voltage rating equal to twice the expected maximum input voltage is recommended. In addition,

the minimum quality dielectric which is suitable for switching power supply inputs is X5R, while X7R or better is preferred.

### RECIRCULATING DIODE

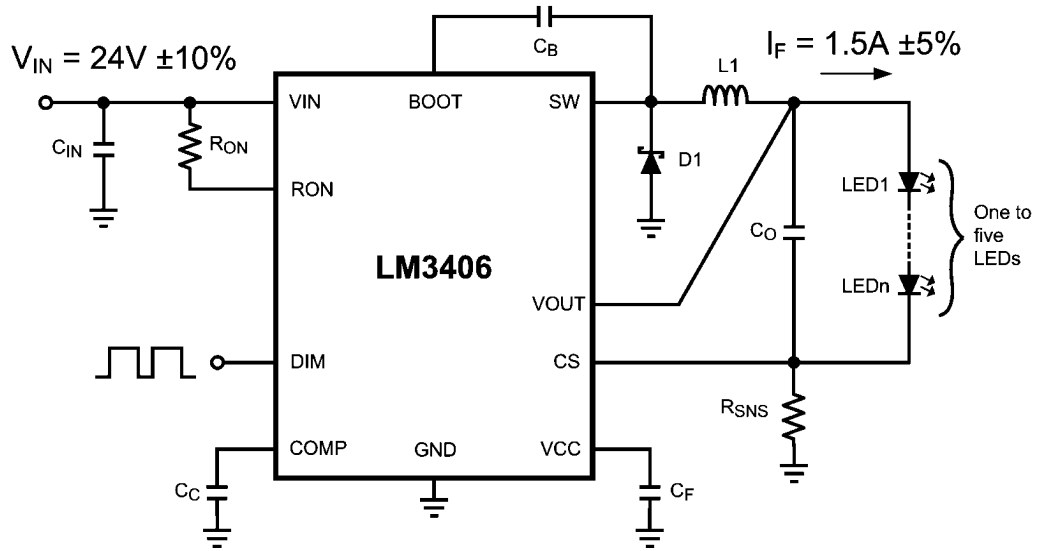
The LM3406/06HV is a non-synchronous buck regulator that requires a recirculating diode D1 (see the Typical Application circuit) to carry the inductor current during the MOSFET off-time. The most efficient choice for D1 is a Schottky diode due to low forward drop and near-zero reverse recovery time. D1 must be rated to handle the maximum input voltage plus any switching node ringing when the MOSFET is on. In practice all switching converters have some ringing at the switching node due to the diode parasitic capacitance and the lead inductance. D1 must also be rated to handle the average current,  $I_D$ , calculated as:

$$I_D = (1 - D) \times I_F$$

This calculation should be done at the maximum expected input voltage. The overall converter efficiency becomes more dependent on the selection of D1 at low duty cycles, where the recirculating diode carries the load current for an increasing percentage of the time. This power dissipation can be calculated by checking the typical diode forward voltage,  $V_D$ , from the I-V curve on the product datasheet and then multiplying it by  $I_D$ . Diode datasheets will also provide a typical junction-to-ambient thermal resistance,  $\theta_{JA}$ , which can be used to estimate the operating die temperature of the device. Multiplying the power dissipation ( $P_D = I_D \times V_D$ ) by  $\theta_{JA}$  gives the temperature rise. The diode case size can then be selected to maintain the Schottky diode temperature below the operational maximum.

### Design Example 1:

The first example circuit uses the LM3406 to create a flexible LED driver capable of driving anywhere from one to five white series-connected LEDs at a current of  $1.5A \pm 5\%$  from a regulated DC voltage input of  $24V \pm 10\%$ . In addition to the  $\pm 5\%$  tolerance specified for the average output current, the LED ripple current must be controlled to  $10\%_{P-P}$  of the DC value, or  $150 \text{ mA}_{P-P}$ . The typical forward voltage of each individual LED at 1.5A is 3.9V, hence the output voltage ranges from 4.1V to 19.7V, adding in the 0.2V drop for current sensing. A complete bill of materials can be found in *Table 1* at the end of this datasheet.



30020318

FIGURE 7. Schematic for Design Example 1

 **$R_{ON}$  and  $t_{ON}$** 

A moderate switching frequency of 500 kHz will balance the requirements of inductor size and overall power efficiency. The LM3406 will allow some shift in switching frequency when  $V_O$  changes due to the number of LEDs in series, so the calculation for  $R_{ON}$  is done at the mid-point of three LEDs in series, where  $V_O = 11.8V$ . Note that the actual  $R_{ON}$  calculation is done with the high accuracy expression listed in the Appendix.

$$R_{ON} = \frac{1}{f_{SW} \times 1 \times 10^{-11}}$$

$$R_{ON} = 144 \text{ k}\Omega$$

The closest 1% tolerance resistor is 143 k $\Omega$ . The switching frequency and on-time of the circuit should be checked for one, three and five LEDs using the equations relating  $R_{ON}$  and  $t_{ON}$  to  $f_{SW}$ . As with the  $R_{ON}$  calculation, the actual  $f_{SW}$  and  $t_{ON}$  values have been calculated using the high accuracy expressions listed in the Appendix.

$$f_{SW} = \frac{1}{1 \times 10^{-11} \times R_{ON}}$$

$$f_{SW(1 \text{ LED})} = 362 \text{ kHz}$$

$$f_{SW(3 \text{ LEDs})} = 504 \text{ kHz}$$

$$f_{SW(5 \text{ LEDs})} = 555 \text{ kHz}$$

$$t_{ON} = 1 \times 10^{-11} \times R_{ON} \times \frac{V_O}{V_{IN}}$$

$$t_{ON(1 \text{ LED})} = 528 \text{ ns}$$

$$t_{ON(3 \text{ LEDs})} = 1014 \text{ ns}$$

$$t_{ON(5 \text{ LEDs})} = 1512 \text{ ns}$$

**OUTPUT INDUCTOR**

Since an output capacitor will be used to filter some of the AC ripple current, the inductor ripple current can be set higher than the LED ripple current. A value of 40% $_{P-P}$  is typical in many buck converters:

$$\Delta i_L = 0.4 \times 1.5 = 0.6A_{P-P}$$

With the target ripple current determined the inductance can be chosen:

$$L = \frac{V_{IN} - V_O}{\Delta i_L} \times t_{ON}$$

$$L_{MIN} = [(24 - 11.8) \times 1.01 \times 10^{-6}] / (0.6) = 20.5 \mu\text{H}$$

The closest standard inductor value is 22  $\mu\text{H}$ . The average current rating should be greater than 1.5A to prevent overheating in the inductor. Inductor current ripple should be calculated for one, three and five LEDs:

$$\Delta i_{L(1 \text{ LED})} = [(24 - 4.1) \times 5.28 \times 10^{-7}] / 22 \times 10^{-6} = 478 \text{ mA}_{P-P}$$

$$\Delta i_{L(3 \text{ LEDs})} = [(24 - 11.8) \times 1.01 \times 10^{-6}] / 22 \times 10^{-6} = 560 \text{ mA}_{P-P}$$

$$\Delta i_{L(5 \text{ LEDs})} = [(24 - 19.7) \times 1.51 \times 10^{-6}] / 22 \times 10^{-6} = 295 \text{ mA}_{P-P}$$

The peak LED/inductor current is then estimated. This calculation uses the worst-case ripple current which occurs with three LEDs.

$$I_{L(\text{PEAK})} = I_L + 0.5 \times \Delta I_{L(\text{MAX})}$$

$$I_{L(\text{PEAK})} = 1.5 + 0.5 \times 0.56 = 1.78\text{A}$$

In order to prevent inductor saturation the inductor's peak current rating must be above 1.8A. A 22  $\mu\text{H}$  off-the shelf inductor rated to 2.1A (peak) and 1.9A (average) with a DCR of 59  $\text{m}\Omega$  will be used.

### USING AN OUTPUT CAPACITOR

This application does not require high frequency PWM dimming, allowing the use of an output capacitor to reduce the size and cost of the output inductor while still meeting the 10%  $\text{P-P}$  target for LED ripple current. To select the proper output capacitor the equation from Buck Regulators with Output Capacitors is re-arranged to yield the following:

$$Z_C = \frac{\Delta i_F}{\Delta i_L - \Delta i_F} \times r_D$$

The dynamic resistance,  $r_D$ , of one LED can be calculated by taking the tangent line to the  $V_F$  vs.  $I_F$  curve in the LED datasheet. Figure 8 shows an example  $r_D$  calculation.

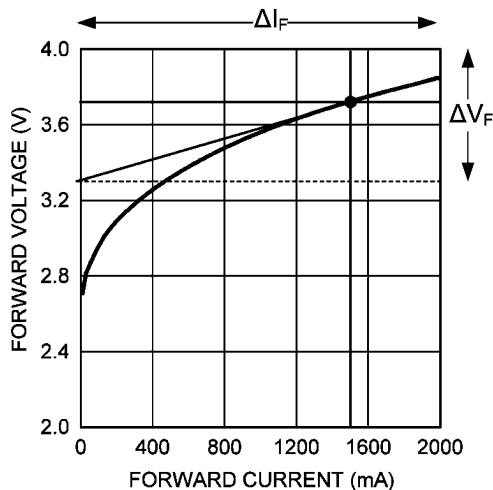


FIGURE 8. Calculating  $r_D$  from the  $V_F$  vs.  $I_F$  Curve

Extending the tangent line to the ends of the plot yields values for  $\Delta V_F$  and  $\Delta I_F$  of 0.7V and 2000 mA, respectively. Dynamic resistance is then:

$$r_D = \Delta V_F / \Delta I_F = 0.7\text{V} / 2\text{A} = 0.35\Omega$$

The most filtering (and therefore the highest output capacitance) is needed when  $r_D$  is lowest, which is when there is only one LED. Inductor ripple current with one LED is 478  $\text{mA}_{\text{P-P}}$ . The required impedance of  $C_O$  is calculated:

$$Z_C = [0.15 / (0.478 - 0.15)] \times 0.35 = 0.16\Omega$$

A ceramic capacitor will be used and the required capacitance is selected based on the impedance at 362 kHz:

$$C_O = 1 / (2 \times \pi \times 0.16 \times 3.62 \times 10^5) = 2.75 \mu\text{F}$$

This calculation assumes that  $C_O$  will be a ceramic capacitor, and therefore impedance due to the equivalent series resistance (ESR) and equivalent series inductance (ESL) of the device is negligible. The closest 10% tolerance capacitor value is 3.3  $\mu\text{F}$ . The capacitor used should be rated to 25V or more and have an X7R dielectric. Several manufacturers produce ceramic capacitors with these specifications in the 1206 case size. A typical value for ESR of 3  $\text{m}\Omega$  can be read from the curve of impedance vs. frequency in the product datasheet.

### R<sub>SNS</sub>

Using the expression for  $R_{\text{SNS}}$ :

$$R_{\text{SNS}} = 0.2 / I_F$$

$$R_{\text{SNS}} = 0.2 / 1.5 = 0.133\Omega$$

Sub-1 $\Omega$  resistors are available in both 1% and 5% tolerance. A 1%, 0.13 $\Omega$  device is the closest value, and a 0.33W, 1210 size device will handle the power dissipation of 290 mW. With the resistance selected, the average value of LED current is re-calculated to ensure that current is within the  $\pm 5\%$  tolerance requirement. From the expression for average LED current:

$$I_F = 0.2 / 0.13 = 1.54\text{A}, 3\% \text{ above the target current}$$

### INPUT CAPACITOR

Following the calculations from the Input Capacitor section,  $\Delta v_{\text{IN}(\text{MAX})}$  will be  $24\text{V} \times 2\%_{\text{P-P}} = 480 \text{ mV}$ . The minimum required capacitance is calculated for the largest  $t_{\text{ON}}$ , corresponding to five LEDs:

$$C_{\text{IN}(\text{MIN})} = (1.5 \times 1.5 \times 10^{-6}) / 0.48 = 4.7 \mu\text{F}$$

As with the output capacitor, this required value is low enough to use a ceramic capacitor, and again the effective capacitance will be lower than the rated value with 24V across  $C_{\text{IN}}$ . Reviewing plots of %C vs. DC Bias for several capacitors reveals that a 4.7  $\mu\text{F}$ , 1812-size capacitor in X7R rated to 50V loses about 40% of its rated capacitance at 24V, hence two such caps are needed.

Input rms current is high in buck regulators, and the worst-case is when the duty cycle is 50%. Duty cycle in a buck regulator can be estimated as  $D = V_O / V_{\text{IN}}$ , and when this converter drives three LEDs the duty cycle will be nearly 50%.

$$I_{\text{IN-RMS}} = 1.5 \times \text{Sqrt}(0.5 \times 0.5) = 750 \text{ mA}$$

Ripple current ratings for 1812 size ceramic capacitors are typically higher than 2A, so two of them in parallel can tolerate more than enough for this design.

### RECIRCULATING DIODE

The input voltage of 24V  $\pm$ 5% requires Schottky diodes with a reverse voltage rating greater than 30V. The next highest standard voltage rating is 40V. Selecting a 40V rated diode provides a large safety margin for the ringing of the switch node and also makes cross-referencing of diodes from different vendors easier.

The next parameters to be determined are the forward current rating and case size. The lower the duty cycle the more thermal stress is placed on the recirculating diode. When driving one LED the duty cycle can be estimated as:

$$D = 4.1 / 24 = 0.17$$

The estimated average diode current is then:

$$I_D = (1 - 0.17) \times 1.54 = 1.28A$$

A 2A-rated diode will be used. To determine the proper case size, the dissipation and temperature rise in D1 can be calculated as shown in the Design Considerations section.  $V_D$  for a case size such as SMB in a 40V, 2A Schottky diode at 1.5A is approximately 0.4V and the  $\theta_{JA}$  is 75°C/W. Power dissipation and temperature rise can be calculated as:

$$P_D = 1.28 \times 0.4 = 512 \text{ mW}$$

$$T_{RISE} = 0.51 \times 75 = 38^\circ\text{C}$$

### $C_B$ , $C_C$ AND $C_F$

The bootstrap capacitor  $C_B$  should always be a 22 nF ceramic capacitors with X7R dielectric. A 25V rating is appropriate for all application circuits. The COMP pin capacitor  $C_C$  and the linear regulator filter capacitor  $C_F$  should always be 100 nF ceramic capacitors, also with X7R dielectric and a 25V ratings.

### EFFICIENCY

To estimate the electrical efficiency of this example the power dissipation in each current carrying element can be calculated and summed. Electrical efficiency,  $\eta$ , should not be confused with the optical efficacy of the circuit, which depends upon the LEDs themselves. One calculation will be detailed for three LEDs in series, where  $V_O = 11.8V$ , and these calculations can be repeated for other numbers of LEDs.

Total output power,  $P_O$ , is calculated as:

$$P_O = I_F \times V_O = 1.54 \times 11.8 = 18.2W$$

Conduction loss,  $P_C$ , in the internal MOSFET:

$$P_C = (I_F^2 \times R_{DS(ON)}) \times D = (1.54^2 \times 0.75) \times 0.5 = 890 \text{ mW}$$

Gate charging and VCC loss,  $P_G$ , in the gate drive and linear regulator:

$$P_G = (I_{IN-OP} + f_{SW} \times Q_G) \times V_{IN}$$

$$P_G = (600 \times 10^{-6} + 5 \times 10^5 \times 9 \times 10^{-9}) \times 24 = 122 \text{ mW}$$

Switching loss,  $P_S$ , in the internal MOSFET:

$$P_S = 0.5 \times V_{IN} \times I_F \times (t_R + t_F) \times f_{SW}$$

$$P_S = 0.5 \times 24 \times 1.54 \times 40 \times 10^{-9} \times 5 \times 10^5 = 370 \text{ mW}$$

AC rms current loss,  $P_{CIN}$ , in the input capacitor:

$$P_{CIN} = I_{IN(rms)}^2 \times ESR = 0.75^2 \times 0.003 = 2 \text{ mW (negligible)}$$

DCR loss,  $P_L$ , in the inductor

$$P_L = I_F^2 \times DCR = 1.54^2 \times 0.06 = 142 \text{ mW}$$

Recirculating diode loss,  $P_D = (1 - 0.5) \times 1.54 \times 0.4 = 300 \text{ mW}$

Current Sense Resistor Loss,  $P_{SNS} = 293 \text{ mW}$

Electrical efficiency,  $\eta = P_O / (P_O + \text{Sum of all loss terms}) = 18.2 / (18.2 + 2.1) = 89\%$

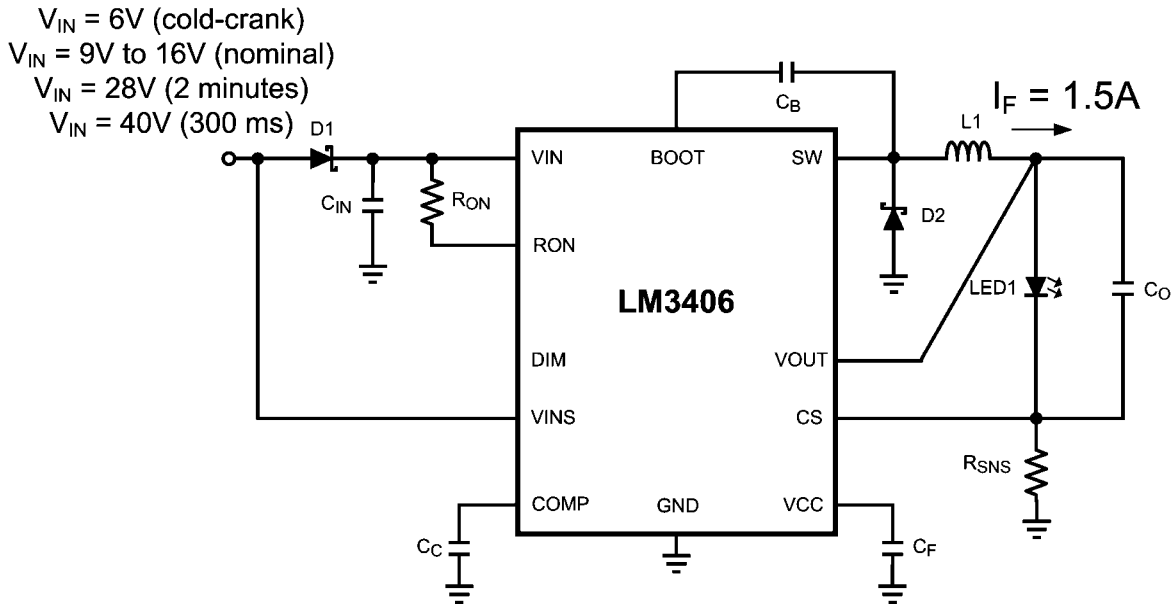
Temperature Rise in the LM3406 IC is calculated as:

$$T_{LM3406} = (P_C + P_G + P_S) \times \theta_{JA} = (0.89 + 0.122 + 0.37) \times 50 = 69^\circ\text{C}$$

## Design Example 2:

The second example circuit uses the LM3406 to drive a single white LED at 1.5A  $\pm$ 10% with a ripple current of 20% $_{p-p}$  in a typical 12V automotive electrical system. The two-wire dimming function will be employed in order to take advantage of the legacy 'theater dimming' method which dims and brightens the interior lights of automobiles by chopping the input voltage with a 200Hz PWM signal. As with the previous example, the typical  $V_F$  of a white LED is 3.9V, and with the current sense voltage of 0.2V the total output voltage will be 4.1V. The LED driver must operate to specifications over an input range of 9V to 16V as well as operating without suffering damage at 28V for two minutes (the 'double battery jump-start' test) and for 300 ms at 40V (the 'load-dump' test). The LED driver must also be able to operate without suffering damage at inputs as low as 6V to satisfy the 'cold crank' tests. A complete bill of materials can be found in *Table 2* at the end of this datasheet.





30020325

FIGURE 9. Schematic for Design Example 2

 **$R_{ON}$  and  $t_{ON}$** 

A switching frequency of 450 kHz helps balance the requirements of inductor size and overall power efficiency, but more importantly keeps the switching frequency below 530 kHz, where the AM radio band begins. This design will concentrate on meeting the switching frequency and LED current requirements over the nominal input range of 9V to 16V, and will then check to ensure that the transient conditions do not cause the LM3406 to overheat. The LM3406 will allow a small shift in switching frequency when  $V_{IN}$  changes, so the calculation for  $R_{ON}$  is done at the typical expected condition where  $V_{IN} = 13.8V$  and  $V_O = 4.1V$ . The actual  $R_{ON}$  calculation uses the high accuracy equation listed in the Appendix.

$$R_{ON} = \frac{1}{f_{SW} \times 1 \times 10^{-11}}$$

$$R_{ON} = 124 \text{ k}\Omega$$

The closest 1% tolerance resistor is 124 k $\Omega$ . The switching frequency and on-time of the circuit should be checked at  $V_{IN-MIN}$  and  $V_{IN-MAX}$  which are 9V and 16V, respectively. The actual  $f_{SW}$  and  $t_{ON}$  values have been calculated with the high accuracy equations in the Appendix.

$$f_{SW} = \frac{1}{1 \times 10^{-11} \times R_{ON}}$$

$$f_{SW(VMIN)} = 463 \text{ kHz}$$

$$f_{SW(VMAX)} = 440 \text{ kHz}$$

$$t_{ON} = 1 \times 10^{-11} \times R_{ON} \times \frac{V_O}{V_{IN}}$$

$$t_{ON(VMIN)} = 1090 \text{ ns}$$

$$t_{ON(VMAX)} = 650 \text{ ns}$$

**OUTPUT INDUCTOR**

Since an output capacitor will be used to filter some of the LED ripple current, the inductor ripple current can be set higher than the LED ripple current. A value of 40% $_{P-P}$  is typical in many buck converters:

$$\Delta i_L = 0.4 \times 1.5 = 0.6A_{P-P}$$

The minimum inductance required to ensure a ripple current of 600 mA $_{P-P}$  or less is calculated at  $V_{IN-MAX}$ :

$$L = \frac{V_{IN} - V_O}{\Delta i_L} \times t_{ON}$$

$$L_{MIN} = [(16 - 4.1) \times 6.5 \times 10^{-7}] / (0.6) = 12.9 \mu\text{H}$$

The closest standard inductor value is 15  $\mu\text{H}$ . The average current rating should be greater than 1.5A to prevent overheating in the inductor. Inductor current ripple should be calculated for  $V_{IN-MIN}$  and  $V_{IN-MAX}$ :

$$\Delta i_{L(VMIN)} = [(9 - 4.1) \times 6.5 \times 10^{-7}] / 15 \times 10^{-6} = 357 \text{ mA}_{P-P}$$

$$\Delta i_{L(VMAX)} = [(16 - 4.1) \times 1.09 \times 10^{-6}] / 15 \times 10^{-6} = 516 \text{ mA}_{P-P}$$

The peak LED/inductor current is then estimated. This calculation uses the worst-case ripple current which occurs at  $V_{IN,MAX}$ .

$$I_{L(PEAK)} = I_L + 0.5 \times \Delta i_{L(MAX)}$$

$$I_{L(PEAK)} = 1.5 + 0.5 \times 0.516 = 1.76A$$

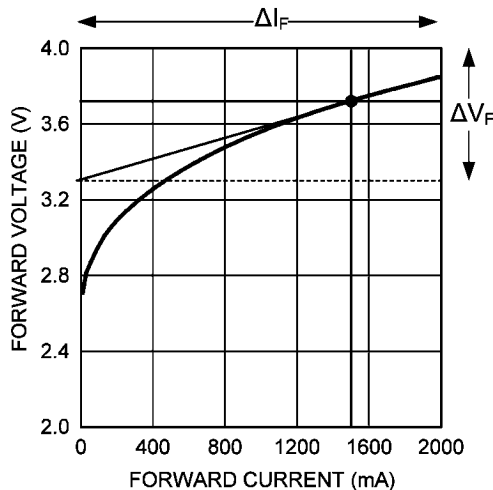
In order to prevent inductor saturation the inductor's peak current rating must be above 1.8A. A 15  $\mu$ H off-the-shelf inductor rated to 2.4A (peak) and 2.2A (average) with a DCR of 47 m $\Omega$  will be used.

### USING AN OUTPUT CAPACITOR

This application does not require high frequency PWM dimming, allowing the use of an output capacitor to reduce the size and cost of the output inductor while still meeting the 20%  $P_{P-P}$  (300 mA) target for LED ripple current. To select the proper output capacitor the equation from Buck Regulators with Output Capacitors is re-arranged to yield the following:

$$Z_C = \frac{\Delta i_F}{\Delta i_L - \Delta i_F} \times r_D$$

The dynamic resistance,  $r_D$ , of one LED can be calculated by taking the tangent line to the  $V_F$  vs.  $I_F$  curve in the LED datasheet. *Figure 8* shows an example  $r_D$  calculation.



30020324

FIGURE 10. Calculating  $r_D$  from the  $V_F$  vs.  $I_F$  Curve

Extending the tangent line to the ends of the plot yields values for  $\Delta V_F$  and  $\Delta I_F$  of 0.7V and 2000 mA, respectively. Dynamic resistance is then:

$$r_D = \Delta V_F / \Delta I_F = 0.7V / 2A = 0.35\Omega$$

The most filtering (and therefore the highest output capacitance) is needed when  $\Delta I_L$  is highest, which occurs at  $V_{IN,MAX}$ .

$V_{IN,MAX}$ . Inductor ripple current with one LED is 516 mA $_{P-P}$ . The required impedance of  $C_O$  is calculated:

$$Z_C = [0.3 / (0.516 - 0.3)] \times 0.35 = 0.49\Omega$$

A ceramic capacitor will be used and the required capacitance is selected based on the impedance at 440 kHz:

$$C_O = 1 / (2 \times \pi \times 0.49 \times 4.4 \times 10^5) = 0.74 \mu F$$

This calculation assumes that  $C_O$  will be a ceramic capacitor, and therefore impedance due to the equivalent series resistance (ESR) and equivalent series inductance (ESL) of the device is negligible. The closest 10% tolerance capacitor value is 1  $\mu$ F. The capacitor used should have an X7R dielectric and should be rated to 50V. The high voltage rating ensures that  $C_O$  will not be damaged if the LED fails open circuit and a load dump occurs. Several manufacturers produce ceramic capacitors with these specifications in the 1206 case size. With only 4V of DC bias a 50V rated ceramic capacitor will have better than 90% of its rated capacitance, which is more than enough for this design.

### $R_{SNS}$

Using the expression for  $R_{SNS}$ :

$$R_{SNS} = 0.2 / I_F$$

$$R_{SNS} = 0.2 / 1.5 = 0.133\Omega$$

Sub-1 $\Omega$  resistors are available in both 1% and 5% tolerance. A 1%, 0.133 $\Omega$  device is the closest value, and a 0.33W, 1210 size device will handle the power dissipation of 290 mW. With the resistance selected, the average value of LED current is re-calculated to ensure that current is within the  $\pm 5\%$  tolerance requirement. From the expression for average LED current:

$$I_F = 0.2 / 0.13 = 1.54A, 3\% \text{ above the target current}$$

### INPUT CAPACITOR

Controlling input ripple current and voltage is critical in automotive applications where stringent conducted electromagnetic interference tests are required.  $\Delta v_{IN(MAX)}$  will be limited to 300 mV $_{P-P}$  or less. The minimum required capacitance is calculated for the largest  $t_{ON}$ , 1090 ns, which occurs at the minimum input voltage. Using the equations from the Input Capacitors section:

$$C_{IN(MIN)} = (1.5 \times 1.09 \times 10^{-6}) / 0.3 = 5.5 \mu F$$

As with the output capacitor, this required value is low enough to use a ceramic capacitor, and again the effective capacitance will be lower than the rated value with 16V across  $C_{IN}$ . Reviewing plots of %C vs. DC Bias for several capacitors reveals that a 3.3  $\mu$ F, 1210-size capacitor in X7R rated to 50V loses about 22% of its rated capacitance at 16V, hence two such caps are needed.

Input rms current is high in buck regulators, and the worst-case is when the duty cycle is 50%. Duty cycle in a buck regulator can be estimated as  $D = V_O / V_{IN}$ , and when  $V_{IN}$  drops to 9V the duty cycle will be nearly 50%.

$$I_{IN-RMS} = 1.5 \times \text{Sqrt}(0.5 \times 0.5) = 750 \text{ mA}$$

Ripple current ratings for 1210 size ceramic capacitors are typically higher than 2A, so two of them in parallel can tolerate more than enough for this design.

### RECIRCULATING DIODE

To survive an input voltage transient of 40V the Schottky diode must be rated to a higher voltage. The next highest standard voltage rating is 60V. Selecting a 60V rated diode provides a large safety margin for the ringing of the switch node and also makes cross-referencing of diodes from different vendors easier.

The next parameters to be determined are the forward current rating and case size. The lower the duty cycle the more thermal stress is placed on the recirculating diode. When driving one LED the duty cycle can be estimated as:

$$D = 4.1 / 13.8 = 0.3$$

The estimated average diode current is then:

$$I_D = (1 - 0.3) \times 1.54 = 1.1 \text{ A}$$

A 2A-rated diode will be used. To determine the proper case size, the dissipation and temperature rise in D1 can be calculated as shown in the Design Considerations section.  $V_D$  for a case size such as SMB in a 60V, 2A Schottky diode at 1.5A is approximately 0.4V and the  $\theta_{JA}$  is 75°C/W. Power dissipation and temperature rise can be calculated as:

$$P_D = 1.1 \times 0.4 = 440 \text{ mW}$$

$$T_{RISE} = 0.44 \times 75 = 33^\circ\text{C}$$

### C<sub>B</sub>, C<sub>C</sub> AND C<sub>F</sub>

The bootstrap capacitor  $C_B$  should always be a 22 nF ceramic capacitors with X7R dielectric. A 25V rating is appropriate for all application circuits. The COMP pin capacitor  $C_C$  and the linear regulator filter capacitor  $C_F$  should always be 100 nF ceramic capacitors, also with X7R dielectric and a 25V ratings.

### EFFICIENCY

To estimate the electrical efficiency of this example the power dissipation in each current carrying element can be calculated and summed. One calculation will be detailed for the nominal input voltage of 13.8V, and these calculations can be repeated for other numbers of LEDs.

Total output power,  $P_O$ , is calculated as:

$$P_O = I_F \times V_O = 1.54 \times 4.1 = 6.3 \text{ W}$$

Conduction loss,  $P_C$ , in the internal MOSFET:

$$P_C = (I_F^2 \times R_{DS(ON)}) \times D = (1.54^2 \times 0.75) \times 0.3 = 530 \text{ mW}$$

Gate charging and VCC loss,  $P_G$ , in the gate drive and linear regulator:

$$P_G = (I_{IN-OP} + f_{SW} \times Q_G) \times V_{IN}$$

$$P_G = (600 \times 10^{-6} + 4.5 \times 10^5 \times 9 \times 10^{-9}) \times 13.8 = 64 \text{ mW}$$

Switching loss,  $P_S$ , in the internal MOSFET:

$$P_S = 0.5 \times V_{IN} \times I_F \times (t_R + t_F) \times f_{SW}$$

$$P_S = 0.5 \times 13.8 \times 1.54 \times 40 \times 10^{-9} \times 4.5 \times 10^5 = 190 \text{ mW}$$

AC rms current loss,  $P_{CIN}$ , in the input capacitor:

$$P_{CIN} = I_{IN(rms)}^2 \times ESR = 0.75^2 \times 0.003 = 2 \text{ mW (negligible)}$$

DCR loss,  $P_L$ , in the inductor

$$P_L = I_F^2 \times DCR = 1.54^2 \times 0.05 = 120 \text{ mW}$$

Recirculating diode loss,  $P_D = (1 - 0.3) \times 1.54 \times 0.4 = 430 \text{ mW}$

Current Sense Resistor Loss,  $P_{SNS} = 293 \text{ mW}$

Electrical efficiency,  $\eta = P_O / (P_O + \text{Sum of all loss terms}) = 6.3 / (6.3 + 1.6) = 80\%$

Temperature Rise in the LM3406 IC is calculated as:

$$T_{LM3406} = (P_C + P_G + P_S) \times \theta_{JA} = (0.53 + 0.06 + 0.19) \times 50 = 39^\circ\text{C}$$

## Thermal Considerations During Input Transients

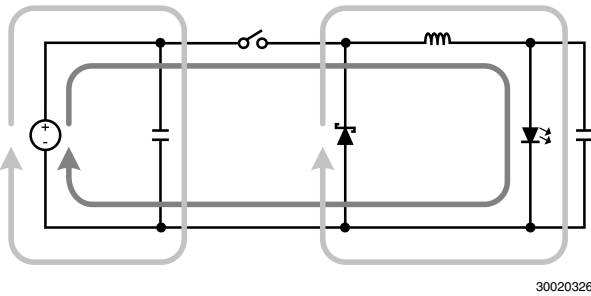
The error amplifier of the LM3406 ensures that average LED current is controlled even at the transient load-dump voltage of 40V, leaving thermal considerations as a primary design consideration during high voltage transients. A review of the operating conditions at an input of 40V is still useful to make sure that the LM3406 die temperature is not exceeded. Switching frequency drops to 325 kHz, the on-time drops to 350 ns, and the duty cycle drops to 0.12. Repeating the calculations for conduction, gate charging and switching loss leads to a total internal loss of 731 mW, and hence a die temperature rise of 37°C. The LM3406 should operate properly even if the ambient temperature is as high as 85°C.

## Layout Considerations

The performance of any switching converter depends as much upon the layout of the PCB as the component selection. The following guidelines will help the user design a circuit with maximum rejection of outside EMI and minimum generation of unwanted EMI.

### COMPACT LAYOUT

Parasitic inductance can be reduced by keeping the power path components close together and keeping the area of the loops that high currents travel small. Short, thick traces or copper pours (shapes) are best. In particular, the switch node (where L1, D1, and the SW pin connect) should be just large enough to connect all three components without excessive heating from the current it carries. The LM3406/06HV operates in two distinct cycles whose high current paths are shown in *Figure 11*:



**FIGURE 11. Buck Converter Current Loops**

The dark grey, inner loop represents the high current path during the MOSFET on-time. The light grey, outer loop represents the high current path during the off-time.

#### GROUND PLANE AND SHAPE ROUTING

The diagram of *Figure 11* is also useful for analyzing the flow of continuous current vs. the flow of pulsating currents. The circuit paths with current flow during both the on-time and off-time are considered to be continuous current, while those that carry current during the on-time or off-time only are pulsating currents. Preference in routing should be given to the pulsating current paths, as these are the portions of the circuit most likely to emit EMI. The ground plane of a PCB is a conductor and return path, and it is susceptible to noise injection just as any other circuit path. The continuous current paths on the ground net can be routed on the system ground plane with less risk of injecting noise into other circuits. The path between the input source and the input capacitor and the path between the recirculating diode and the LEDs/current sense resistor are examples of continuous current paths. In contrast, the path between the recirculating diode and the input capacitor carries a large pulsating current. This path should be routed with a short, thick shape, preferably on the component side of the PCB. Do not place any vias near the anode of Schottky diode. Instead, multiple vias in parallel should be used right at the pad of the input capacitor to connect the component side shapes to the ground plane. A second pulsating current loop that is often ignored is the gate drive loop formed by the SW and BOOT pins and capacitor  $C_B$ . To minimize this loop and the EMI it generates, keep  $C_B$  close to the SW and BOOT pins.

#### CURRENT SENSING

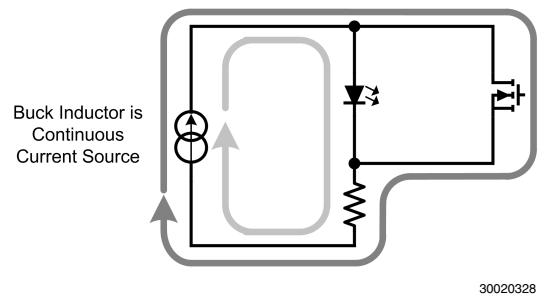
The CS pin is a high-impedance input, and the loop created by  $R_{SNS}$ ,  $R_Z$  (if used), the CS pin and ground should be made

as small as possible to maximize noise rejection.  $R_{SNS}$  should therefore be placed as close as possible to the CS and GND pins of the IC.

#### REMOTE LED ARRAYS

In some applications the LED or LED array can be far away (several inches or more) from the LM3406/06HV, or on a separate PCB connected by a wiring harness. When an output capacitor is used and the LED array is large or separated from the rest of the converter, the output capacitor should be placed close to the LEDs to reduce the effects of parasitic inductance on the AC impedance of the capacitor. The current sense resistor should remain on the same PCB, close to the LM3406/06HV.

Remote LED arrays and high speed dimming with a parallel FET must be treated with special care. The parallel dimming FET should be placed on the same board and/or heatsink as the LEDs to minimize the loop area between them, as the switching of output current by the parallel FET produces a pulsating current just like the switching action of the LM3406's internal power FET and the Schottky diode. *Figure 12* shows the path that the inductor current takes through the LED or through the dimming FET. To minimize the EMI from parallel FET dimming the parasitic inductance of the loop formed by the LED and the dimming FET (where only the dark grey arrows appear) should be reduced as much as possible. Parasitic inductance of a loop is mostly controlled by the loop area, hence making this loop as physically small (short) as possible will reduce the inductance.



**FIGURE 12. Parallel FET Dimming Current Loops**

TABLE 1. BOM for Design Example 1

ID	Part Number	Type	Size	Parameters	Qty	Vendor
U1	LM3406	LED Driver	eTSSOP-14	42V, 2A	1	NSC
L1	SLF10145T-220M1R-PF	Inductor	10 x 10 x 4.5mm	22 $\mu$ H, 1.9A, 59 m $\Omega$	1	TDK
D1	CMSH2-40	Schottky Diode	SMB	40V, 2A	1	Central Semi
Cc, Cf	VJ0603Y104KXXAT	Capacitor	0603	100 nF 10%	2	Vishay
Cb	VJ0603Y223KXXAT	Capacitor	0603	22 nF 10%	1	Vishay
Cin1 Cin2	C4532X7R1H475M	Capacitor	1812	4.7 $\mu$ F, 50V	2	TDK
Co	C2012X7R1E105M	Capacitor	0805	1.0 $\mu$ F, 25V	1	TDK
Rsns	ERJ14RQFR13V	Resistor	1210	0.13 $\Omega$ 1%	1	Panasonic
Ron	CRCW08051433F	Resistor	0805	143 k $\Omega$ 1%	1	Vishay

TABLE 2. BOM for Design Example 2

ID	Part Number	Type	Size	Parameters	Qty	Vendor
U1	LM3406	LED Driver	eTSSOP-14	42V, 2A	1	NSC
L1	SLF10145T-150M2R2-P	Inductor	10 x 10 x 4.5mm	15 $\mu$ H, 2.2A, 47 m $\Omega$	1	TDK
D1	CMSH2-60	Schottky Diode	SMB	60V, 2A	1	Central Semi
Cc, Cf	VJ0603Y104KXXAT	Capacitor	0603	100 nF 10%	2	Vishay
Cb	VJ0603Y223KXXAT	Capacitor	0603	22 nF 10%	1	Vishay
Cin1 Cin2	C3225X7R1H335M	Capacitor	1210	3.3 $\mu$ F, 50V	2	TDK
Co	C3216X7R1H105M	Capacitor	1206	0.15 $\mu$ F, 50V	1	TDK
Rsns	ERJ14RQFR13V	Resistor	1210	0.13 $\Omega$ 1%	1	Panasonic
Ron	CRCW08051243F	Resistor	0805	124 k $\Omega$ 1%	1	Vishay
Rpd	CRCW08051002F	Resistor	0805	10 k $\Omega$ 1%	1	Vishay

TABLE 3. Bill of Materials for Efficiency Curves

ID	Part Number	Type	Size	Parameters	Qty	Vendor
U1	LM3406	Buck LED Driver	eTSSOP-14	42V, 1.5A	1	NSC
Q1	Si3458DV	N-MOSFET	SOT23-6	60V, 2.8A	1	Vishay
D1	CMSH2-60M	Schottky Diode	SMA	60V, 2A	1	Central Semi
L1	VLF10045T-330M2R3	Inductor	10 x 10 x 4.5mm	33 $\mu$ H, 2.3A, 70 m $\Omega$	1	TDK
Cin1 Cin2	C4532X7R1H685M	Capacitor	1812	6.8 $\mu$ F, 50V	2	TDK
Co	C3216X7R1H474M	Capacitor	1206	470 nF, 50V	1	TDK
Cf, Cc	VJ0603Y104KXXAT	Capacitor	0603	100 nF 10%	2	Vishay
Cb	VJ0603Y223KXXAT	Capacitor	0603	22 nF 10%	1	Vishay
R3.5	ERJ6RQFR56V	Resistor	0805	0.56 $\Omega$ 1%	1	Panasonic
R.7	ERJ6RQFR62V	Resistor	0805	0.62 $\Omega$ 1%	1	Panasonic
R1	ERJ6RQFR30V	Resistor	0805	0.3 $\Omega$ 1%	1	Panasonic
R1.5	ERJ6RQFR16V	Resistor	0805	0.16 $\Omega$ 1%	1	Panasonic
Ron	CRCW08051433F	Resistor	0805	143k $\Omega$ 1%	1	Vishay
Rpd Rout	CRCW06031002F	Resistor	0603	10 k $\Omega$ 1%	2	Vishay
OFF* DIM1 DIM2	160-1512	Terminal	0.062"		3	Cambion
VIN GND CS/LED- Vo/LED+	160-1026	Terminal	0.094"		2	Cambion

## Appendix

The following expressions provide the best accuracy for users who wish to create computer-based simulations or circuit calculators:

$$t_{ON} = \frac{9.92 \times 10^{-12} \times (V_O + 0.65) \times R_{ON}}{V_{IN} - 1.5} + 1.75 \times 10^{-7}$$

$$R_{ON} = \frac{(D - f_{SW} \times 1.75 \times 10^{-7}) \times (V_{IN} - 1.5)}{9.92 \times 10^{-12} \times f_{SW} \times (V_O + 0.65)}$$

$$f_{SW} = \frac{D \times (V_{IN} - 1.5)}{9.92 \times 10^{-12} \times (V_O + 0.65) \times R_{ON} + 1.75 \times 10^{-7} \times (V_{IN} - 1.5)}$$

## Certificate of Non-Qualified Engineering Samples

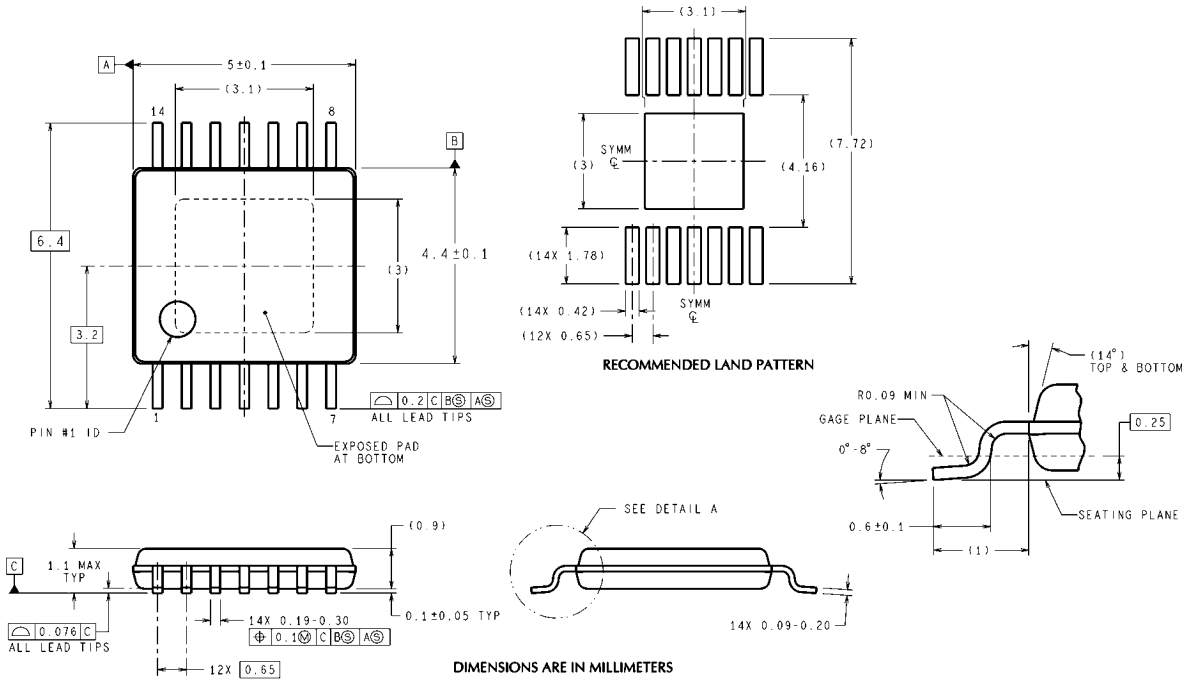
As a consideration for the right to sample preliminary pre-production devices prior to full qualification and production release ("Engineering Samples") by National Semiconductor Corporation, including its wholly-owned subsidiaries ("National"), user agrees to accept such Engineering Samples "AS IS" IN PRE-PRODUCTION FORM WITHOUT WARRANTY OF ANY KIND for the sole purpose of engineering evaluation and testing.

NATIONAL PROVIDES THE ENGINEERING SAMPLES "AS IS" AND HEREBY DISCLAIMS ALL WARRANTIES, EXPRESSED, IMPLIED OR OTHERWISE, INCLUDING WARRANTIES OF MERCHANTABILITY, FITNESS FOR A PARTICULAR PURPOSE, AND NON-INFRINGEMENT OF INTELLECTUAL PROPERTY RIGHTS. NATIONAL DOES NOT ASSUME OR AUTHORIZE ANY OTHER PERSON TO ASSUME FOR IT ANY OTHER LIABILITY IN CONNECTION

WITH THE ENGINEERING SAMPLES. THE ENTIRE RISK AS TO THE QUALITY, OR ARISING OUT OF THE USE OR PERFORMANCE OF THE ENGINEERING SAMPLES REMAINS WITH USER. IN NO EVENT SHALL NATIONAL BE LIABLE IN CONTRACT, TORT, WARRANTY, STRICT LIABILITY, OR OTHERWISE FOR ANY SPECIAL, INDIRECT, INCIDENTAL OR CONSEQUENTIAL DAMAGES, INCLUDING BUT NOT LIMITED TO, THE COST OF LABOR, REQUALIFICATION, DELAY, LOSS OF PROFITS OR GOODWILL, EVEN IF NATIONAL IS ADVISED OF THE POSSIBILITY OF SUCH DAMAGES.

National reserves the right, at any time and without notice, to modify the circuitry and/or specifications of such Engineering Samples prior to National's full qualification and PRODUCTION of such Engineering Samples. National makes no representation that National will continue production of such Engineering Samples in the pre-production form subsequent to full qualification and production release of such Engineering Samples.

**Physical Dimensions** inches (millimeters) unless otherwise noted



**14-Lead Exposed Pad Plastic TSSOP Package  
NS Package Number MXA14A**

MXA14A (Rev A)



# Notes

## Notes

For more National Semiconductor product information and proven design tools, visit the following Web sites at:

Products		Design Support	
Amplifiers	<a href="http://www.national.com/amplifiers">www.national.com/amplifiers</a>	WEBENCH	<a href="http://www.national.com/webench">www.national.com/webench</a>
Audio	<a href="http://www.national.com/audio">www.national.com/audio</a>	Analog University	<a href="http://www.national.com/AU">www.national.com/AU</a>
Clock Conditioners	<a href="http://www.national.com/timing">www.national.com/timing</a>	App Notes	<a href="http://www.national.com/appnotes">www.national.com/appnotes</a>
Data Converters	<a href="http://www.national.com/adc">www.national.com/adc</a>	Distributors	<a href="http://www.national.com/contacts">www.national.com/contacts</a>
Displays	<a href="http://www.national.com/displays">www.national.com/displays</a>	Green Compliance	<a href="http://www.national.com/quality/green">www.national.com/quality/green</a>
Ethernet	<a href="http://www.national.com/ethernet">www.national.com/ethernet</a>	Packaging	<a href="http://www.national.com/packaging">www.national.com/packaging</a>
Interface	<a href="http://www.national.com/interface">www.national.com/interface</a>	Quality and Reliability	<a href="http://www.national.com/quality">www.national.com/quality</a>
LVDS	<a href="http://www.national.com/lvds">www.national.com/lvds</a>	Reference Designs	<a href="http://www.national.com/refdesigns">www.national.com/refdesigns</a>
Power Management	<a href="http://www.national.com/power">www.national.com/power</a>	Feedback	<a href="http://www.national.com/feedback">www.national.com/feedback</a>
Switching Regulators	<a href="http://www.national.com/switchers">www.national.com/switchers</a>		
LDOs	<a href="http://www.national.com/lido">www.national.com/lido</a>		
LED Lighting	<a href="http://www.national.com/led">www.national.com/led</a>		
PowerWise	<a href="http://www.national.com/powerwise">www.national.com/powerwise</a>		
Serial Digital Interface (SDI)	<a href="http://www.national.com/sdi">www.national.com/sdi</a>		
Temperature Sensors	<a href="http://www.national.com/tempsensors">www.national.com/tempsensors</a>		
Wireless (PLL/VCO)	<a href="http://www.national.com/wireless">www.national.com/wireless</a>		

THE CONTENTS OF THIS DOCUMENT ARE PROVIDED IN CONNECTION WITH NATIONAL SEMICONDUCTOR CORPORATION ("NATIONAL") PRODUCTS. NATIONAL MAKES NO REPRESENTATIONS OR WARRANTIES WITH RESPECT TO THE ACCURACY OR COMPLETENESS OF THE CONTENTS OF THIS PUBLICATION AND RESERVES THE RIGHT TO MAKE CHANGES TO SPECIFICATIONS AND PRODUCT DESCRIPTIONS AT ANY TIME WITHOUT NOTICE. NO LICENSE, WHETHER EXPRESS, IMPLIED, ARISING BY ESTOPPEL OR OTHERWISE, TO ANY INTELLECTUAL PROPERTY RIGHTS IS GRANTED BY THIS DOCUMENT.

TESTING AND OTHER QUALITY CONTROLS ARE USED TO THE EXTENT NATIONAL DEEMS NECESSARY TO SUPPORT NATIONAL'S PRODUCT WARRANTY. EXCEPT WHERE MANDATED BY GOVERNMENT REQUIREMENTS, TESTING OF ALL PARAMETERS OF EACH PRODUCT IS NOT NECESSARILY PERFORMED. NATIONAL ASSUMES NO LIABILITY FOR APPLICATIONS ASSISTANCE OR BUYER PRODUCT DESIGN. BUYERS ARE RESPONSIBLE FOR THEIR PRODUCTS AND APPLICATIONS USING NATIONAL COMPONENTS. PRIOR TO USING OR DISTRIBUTING ANY PRODUCTS THAT INCLUDE NATIONAL COMPONENTS, BUYERS SHOULD PROVIDE ADEQUATE DESIGN, TESTING AND OPERATING SAFEGUARDS.

EXCEPT AS PROVIDED IN NATIONAL'S TERMS AND CONDITIONS OF SALE FOR SUCH PRODUCTS, NATIONAL ASSUMES NO LIABILITY WHATSOEVER, AND NATIONAL DISCLAIMS ANY EXPRESS OR IMPLIED WARRANTY RELATING TO THE SALE AND/OR USE OF NATIONAL PRODUCTS INCLUDING LIABILITY OR WARRANTIES RELATING TO FITNESS FOR A PARTICULAR PURPOSE, MERCHANTABILITY, OR INFRINGEMENT OF ANY PATENT, COPYRIGHT OR OTHER INTELLECTUAL PROPERTY RIGHT.

### LIFE SUPPORT POLICY

**NATIONAL'S PRODUCTS ARE NOT AUTHORIZED FOR USE AS CRITICAL COMPONENTS IN LIFE SUPPORT DEVICES OR SYSTEMS WITHOUT THE EXPRESS PRIOR WRITTEN APPROVAL OF THE CHIEF EXECUTIVE OFFICER AND GENERAL COUNSEL OF NATIONAL SEMICONDUCTOR CORPORATION.** As used herein:

Life support devices or systems are devices which (a) are intended for surgical implant into the body, or (b) support or sustain life and whose failure to perform when properly used in accordance with instructions for use provided in the labeling can be reasonably expected to result in a significant injury to the user. A critical component is any component in a life support device or system whose failure to perform can be reasonably expected to cause the failure of the life support device or system or to affect its safety or effectiveness.

National Semiconductor and the National Semiconductor logo are registered trademarks of National Semiconductor Corporation. All other brand or product names may be trademarks or registered trademarks of their respective holders.

Copyright© 2008 National Semiconductor Corporation

For the most current product information visit us at [www.national.com](http://www.national.com)



**National Semiconductor Americas Technical Support Center**  
Email: [support@nsc.com](mailto:support@nsc.com)  
Tel: 1-800-272-9959

**National Semiconductor Europe Technical Support Center**  
Email: [europe.support@nsc.com](mailto:europe.support@nsc.com)  
German Tel: +49 (0) 180 5010 771  
English Tel: +44 (0) 870 850 4288

**National Semiconductor Asia Pacific Technical Support Center**  
Email: [ap.support@nsc.com](mailto:ap.support@nsc.com)

**National Semiconductor Japan Technical Support Center**  
Email: [jpn.feedback@nsc.com](mailto:jpn.feedback@nsc.com)