

VECO VANSONIC ENTERPRISE CO., LTD.

8F., No. 7, Lane 16, Sec. 2, Szechwan Road, Panchiao, Taipei Hsien, TAIWAN.

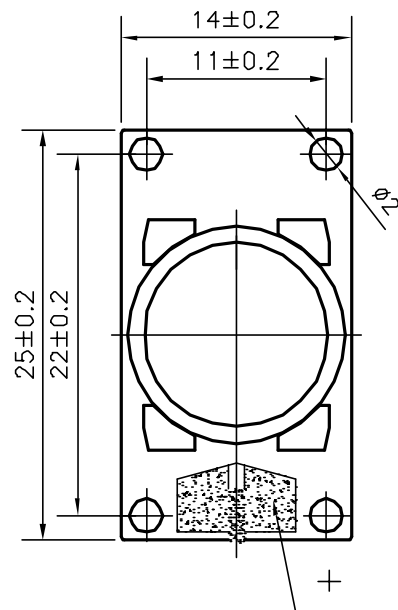
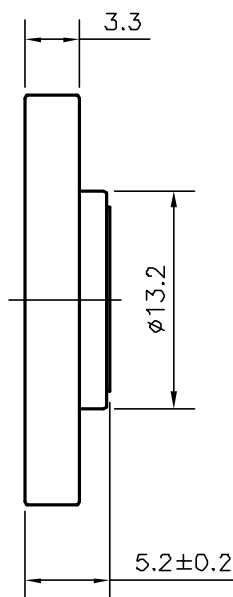
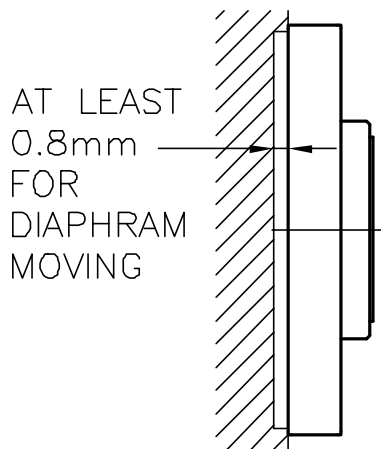
TEL: +886-2-29626335

FAX: +886-2-29625220

E-MAIL: VANSONIC@MS4.HINET.NET

| | | | | | |
|-----|---|--|-----------------------|----------------------|---------------|
| 1. | MODEL: | 25KC08 | | | |
| 2. | Dimension | Outer Diameter | 14 X 25mm. | Baffle Opening | 13 X 23mm. |
| | | Height | Refer to Drawing. | Weight | 2.4 Grams. |
| 3. | Magnet | Materials | Rare Earth | Size | ∅ 7.9X1.3 mm. |
| 4. | Nominal Impedance | 8 | ± 15 % | At | 1500 Hz. |
| 5. | Power Rating | Normal | 1000 mW. | Maximum | 1500 mW. |
| 6. | Lowest Resonant Frequency | 600 | ± 20 % | | Hz. |
| 7. | Output Sound Pressure Level (S.P.L.) | 81 | ± 3 db / 1.0 Watt | . 0.5 Meter. | |
| | | Average at | 800, 1000, 1200, 1500 | Hz. | |
| 8. | Frequency Range | 350 | ~ 20000 Hz. | Average SPL - 10 db. | |
| 9. | Distortion | 5 % | Maximum At | 1000 Hz. | 1000 mW. |
| 10. | Abnormal Sound Test | Must be Normal Tested By | | 2.9 Volts. | Sine Wave. |
| 11. | Load Test | White Noise with Weighted Filter | | 2.9 Volts.(RMS) | 24Hrs. |
| 12. | Polarity | Diaphragm shall move Forward when Apply a Positive DC. | | | |
| | | Current to the "+" or "Marked" Terminal. | | | |

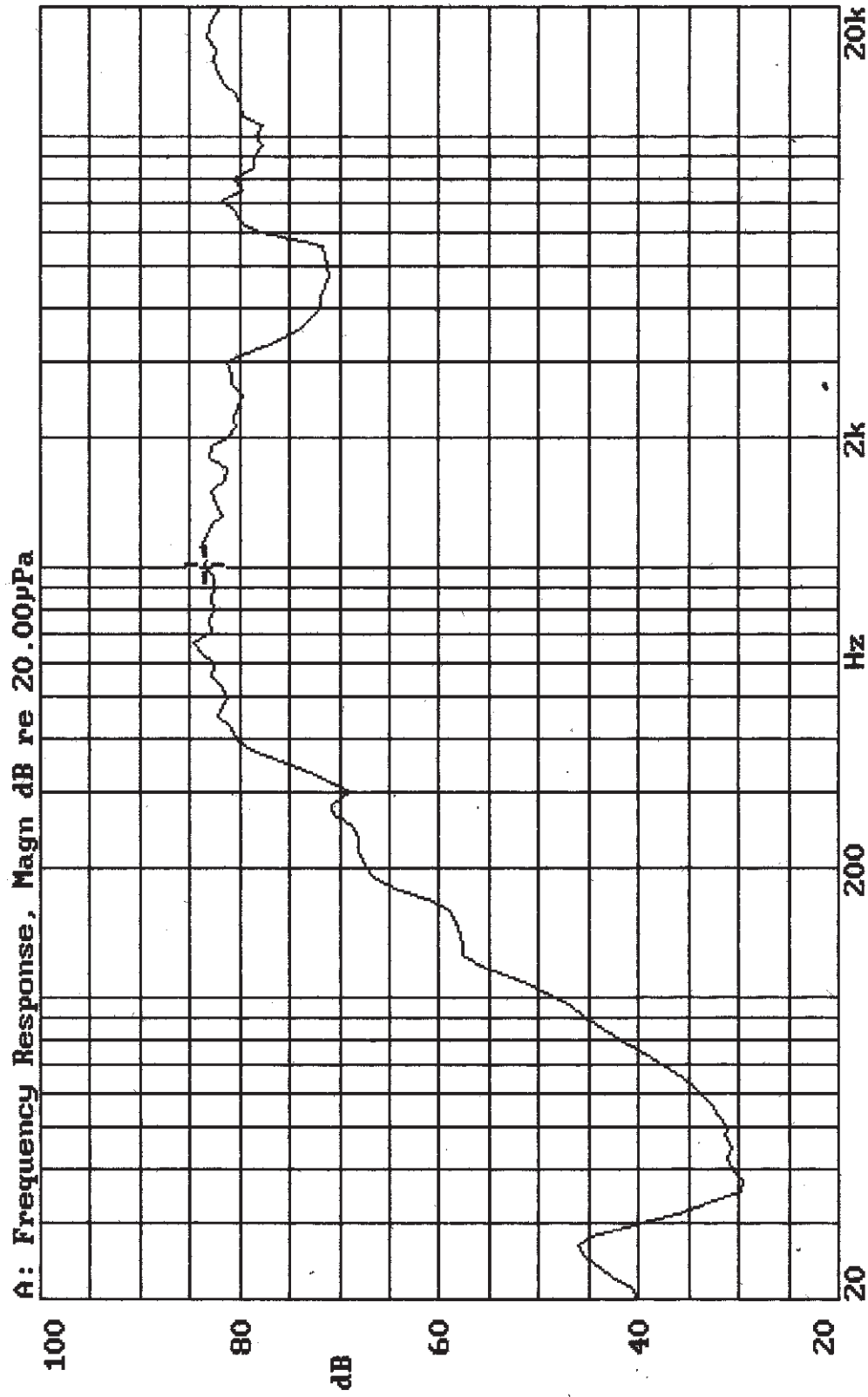
MOUNTING NOTICE



Unit : mm

Housing Material : ABS

25KC08 VOL:2.828V(1.0W) DIS:0.5M VANSONIC
X:1.0000kHz *Y:83.41dB ZA:6.0000 SSR Fund.



29-MAR-2001 16:37:31

Mode: SSR

